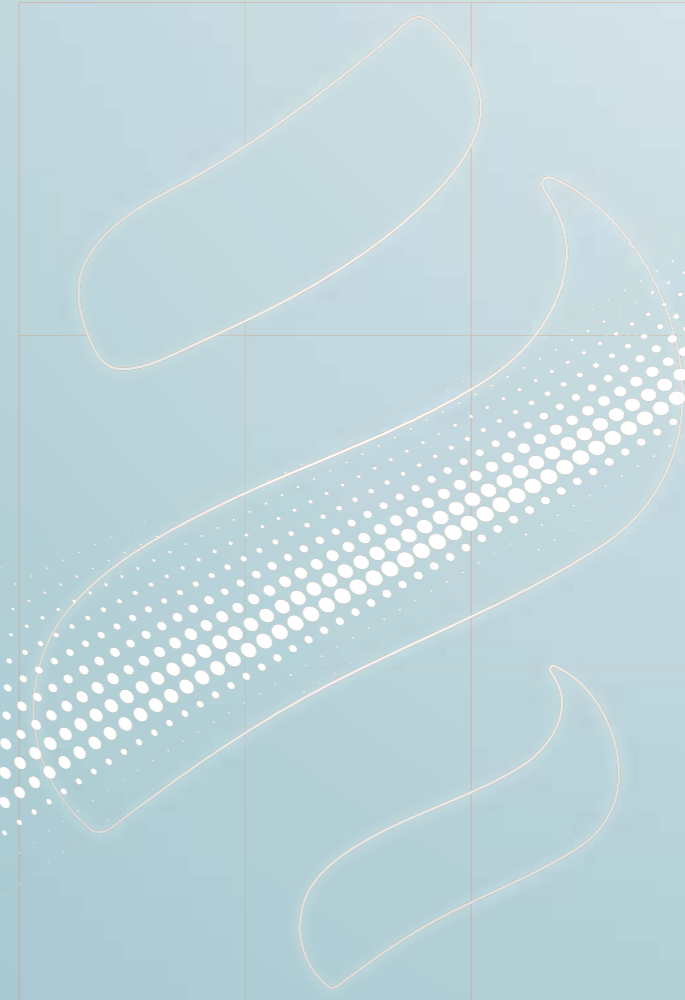


we are the **AIR**chitects



UK range 2017-18



OUR HOUSEHOLD AIR CAN BE DESIGNED.
ELICA IS THE FIRST AIR ARCHITECT.
ELICA MEASURES AIR CONDITIONS. ELICA REGULATES AND
CLEANS IT. THERE IS NEW AIR THROUGHOUT THE HOUSE.



Three Lines, you choose

THREE SOLUTIONS. JUST FOR YOU.
THREE CHAPTERS, THREE DIFFERENT
PROPOSALS THAT MEET EVERY NEED.

STREAM, CONNECTED SYSTEMS,
THROUGHOUT THE HOUSE WHICH WORK
AUTONOMOUSLY. FOR THOSE WHO LOVE
SMART OBJECTS.

TÉCHNE, FOR WHOEVER IS LOOKING
FOR SELF- ADJUSTING HOODS, WITH
THE BEST PERFORMANCE IN TERMS OF
ASPIRATION, FILTERING, SILENCE AND
ENERGY EFFICIENCY.

ICONIC FOR WHOEVER LOVES ELICA'S
UNIQUE DESIGN, WHERE THE UTMOST
ATTENTION IS PAID TO EVERY DETAIL, AND
USE OF THE MOST INNOVATIVE MATERIALS
IN LINE WITH THE LATEST TRENDS.

Air is precious. This everyday awareness
has always driven Elica's design sense,
supported by the most advanced
technology in the field.
The three product lines are able to
meet the needs related to the different
ways of living and cooking all around
the world.

STREAM /10



TECHNOLOGICAL OPERATION AND CONTROL
PLATFORMS. THE HOOD IS THE INTERACTIVE
AND SMART HEART OF THE KITCHEN.

Products designed for anyone who loves the most
advanced technological solutions provided by home
automation, which are people-oriented, simple and
intuitive at the same time. For anyone who wants
smart systems that are able to communicate with
each other, and to monitor and improve kitchen air.
The hoods in the Stream line wirelessly communicate
with Elica hobs and air balancers

TÉCHNE /64



TÉKHNE-LOGHÌA IS THE GREEK TERM MEANING
DOING, ART, AND TECHNIQUE. NOT JUST SIMPLY
KNOWING BUT KNOWING HOW TO DO THAT.
IT COMBINES WITH DESIGN AND FUNCTION. IT
BECOMES ADVANCED TECHNOLOGY WITH AN
APPEALING LOOK.

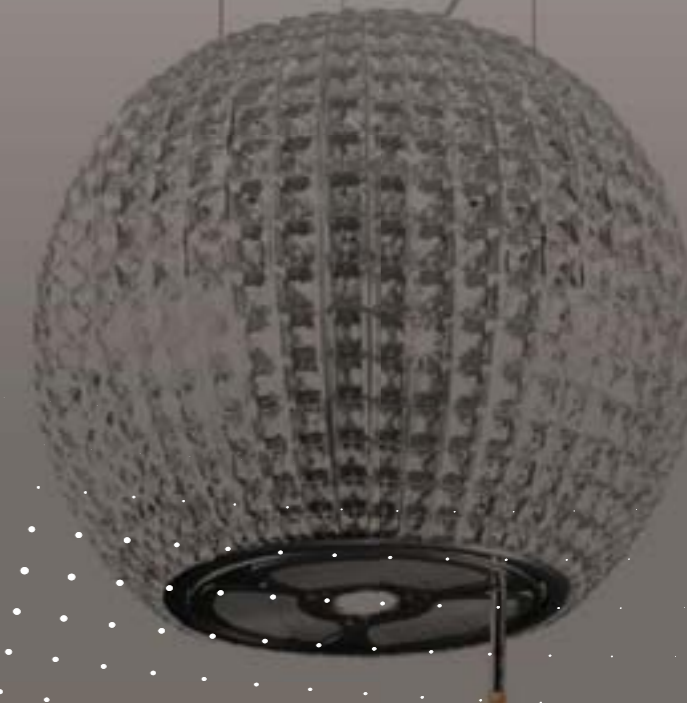
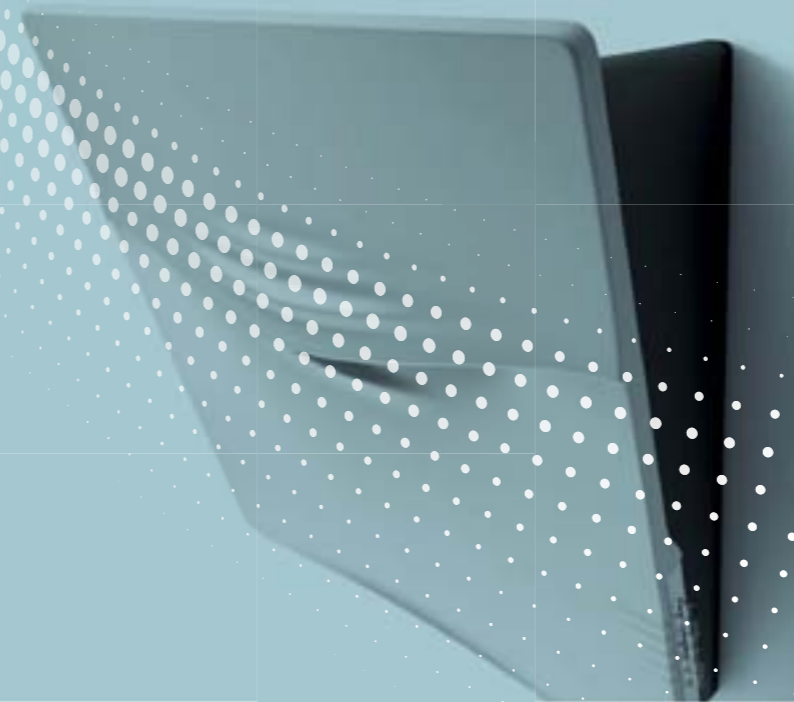
Technology intended as an art and a craft, as the
ability to solve problems. The products in the Téchné
line have this soul. Performance is very high and
energy efficiency is at a maximum level. Very high
aspiration capacity and very low noise level. Lighting
is adjustable both in brightness and colour warmth.
The special filters can absorb even the strongest
odours. Sensors allow the hood to self-regulate.

ICONIC /108

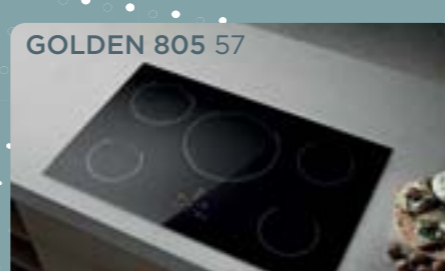
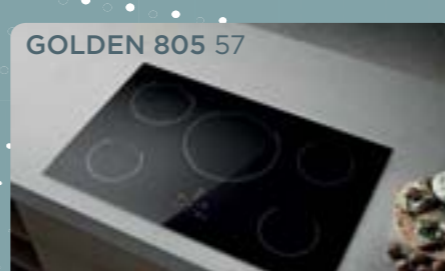
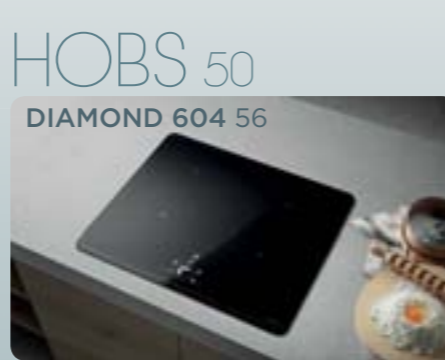
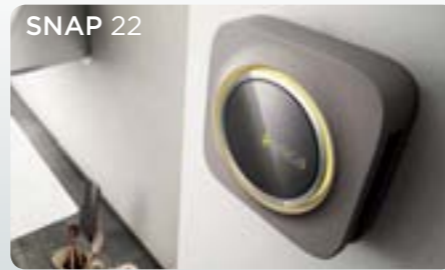


THE STYLE AND TRADITION OF HOODS THAT
HAVE BEEN DESIGNED TO BRING BEAUTY TO
EVERY HOME. ELICA COMBINES PERFORMANCE,
RELIABILITY AND EMOTIONAL DESIGN.

Elica can boast long experience and know-how in
manufacturing appliances with innovative materials
and refined finishing touches. Skilled craftsmanship,
together with technological research, results in high
quality, elegant products. Excellent features with a
surprising look.



STREAM



TÉCHNE

ICONIC



WALL MOUNTED



BARRE 127



ALPHA 140



AQUAVITA 153



ASCENT ASCENT HE 126



CIRCUS HE 137



CLAIRE 146



CRYSTAL 139



CUBE 143



DOLCE 114



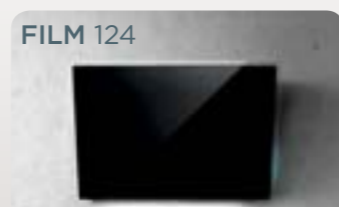
ELECTRA 136



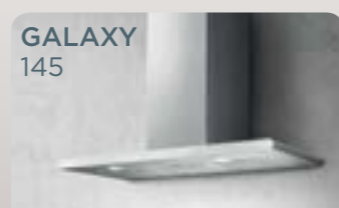
EVITA 133



FANTASIA 128



FILM 124



GALAXY 145



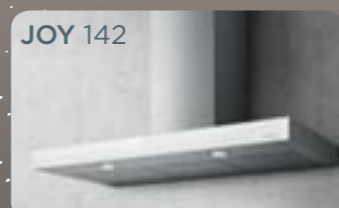
IO 130



IO AIR 118



LEAF 132



JOY 142



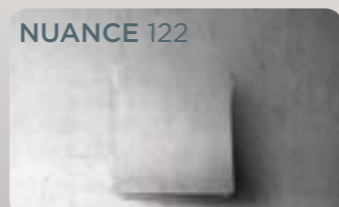
LEDGE 149



LUNA 144



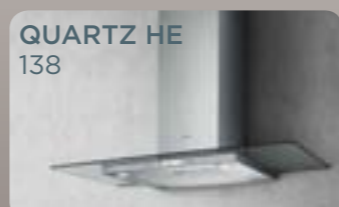
MINI IO 131



NUANCE 122



PICTURE 120



QUARTZ HE 138



SERENDIPITY 110



SPOT HE 148



STONE 136



SUN 150



TAMAYA HP 152



TENDER 147



TONDA 151



TRENDY 141



VERDI 134



VERVE 125

CANOPY



COVE 154



PRO ANGLO 155



CHROME 170



CIRCUS HE ISLAND 160



GALAXY ISLAND 163



JOY ISLAND 165

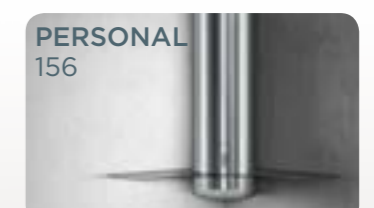


KUADRA ISLAND 167

CORNER



ACUTA 157



PERSONAL 156

ISLAND MOUNTED



LUNA ISLAND 159



OBELISK 171



QUARTZ HE ISLAND 161



SERENDIPITY ISLAND 158



SPOT HE ISLAND 164



TUBE ISLAND 166

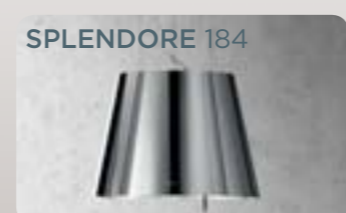
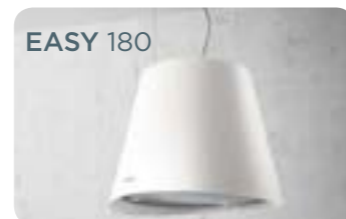


TRENDY ISLAND 162

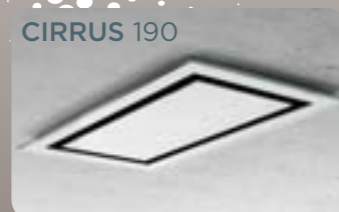


YIN 168

SUSPENDED



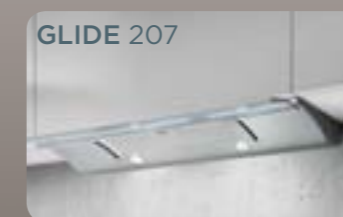
CEILING



DOWNDRAFT



BUILT IN



ELICA4YOU

- REMOTE MOTORS 211
- COOKER HOOD PLUS 212
- TECHNICAL DRAWINGS 214
- REMOTE CONTROL 219
- ENERGY RATINGS 220
- NIKOLA TESLA ACCESSORIES 222



SENSE HOODS

STREAM
breathe. feel. control.



LIEN HOBS

STREAM

THANKS TO **STREAM**,
PERFORMANCE
IS OPTIMISED AND EXCELLENT
AIR QUALITY IS ASSURED.

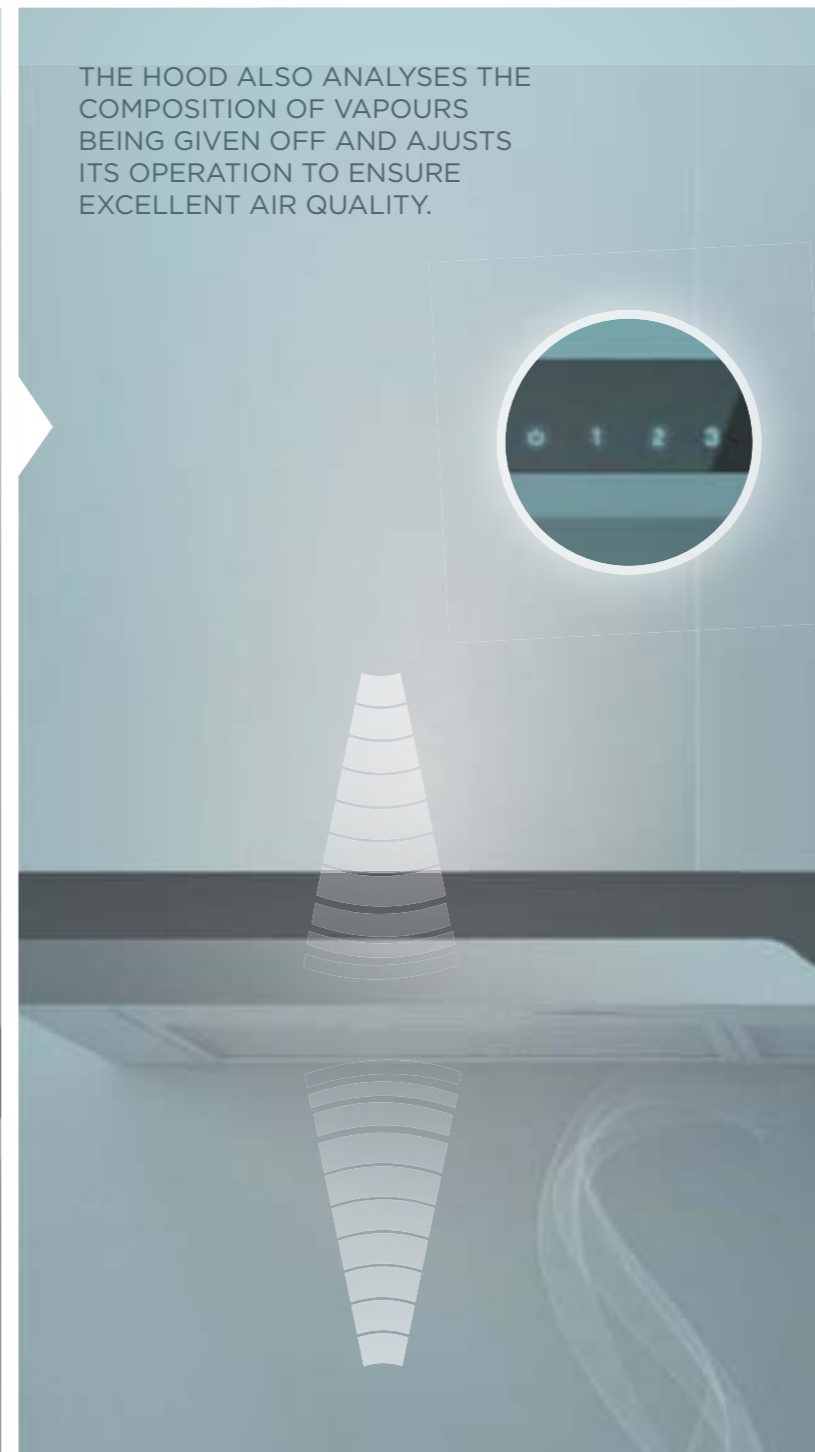
THE HOB INFORMS THE HOOD ABOUT THE NUMBER AND POWER OF ZONES ON AND THE PRESENCE OF POTS.



THANKS TO ITS INNOVATIVE SENSORS, THE HOOD RECOGNISES THE QUANTITY AND COMPOSITION OF COOKING VAPOURS AND REACTS IN REAL TIME INTEGRATING THE INFORMATION FROM THE HOB, THUS ACHIEVING OPTIMUM PERFORMANCE.



THE HOOD ALSO ANALYSES THE COMPOSITION OF VAPOURS BEING GIVEN OFF AND ADJUSTS ITS OPERATION TO ENSURE EXCELLENT AIR QUALITY.



THE HOOD WILL CONTINUE RUNNING UNTIL THE AIR QUALITY REACHES A LEVEL WHERE IT IS NO LONGER NEEDED AND THEN TURNS ITSELF OFF PREVENTING WASTAGE OF ENERGY.





AN UNCONVENTIONAL UNION FOR
 ANYONE WHO LOVES THINKING
 OUTSIDE THE BOX

NikolaTesla is an induction hob and cooker hood in the same appliance; the first Elica cooktop with a fully integrated air suction system. The central fan, integrated unobtrusively into the cooktop, ensures high performance, near silent operation and excellent energy efficiency (class A+ rating), so improving air quality and comfort in the kitchen.

The extractor control system communicates directly with the induction hob and as it receives information about each cooking zone, automatically adjusts suction power and speed leaving you to concentrate completely on cooking. Available both in duct-out and re-circulating modes, Nikolatesla has been designed to fit in any type of living space.





NIKOLATESLA HP



NIKOLATESLA



NIKOLATESLA HP



NIKOLATESLA



NIKOLATESLA

DESIGN FABRIZIO CRISA

- EASY INSTALLATION
- HIGH PERFORMANCE
- REVOLUTION FILTER
- A+ ENERGY CLASS
- BRIDGE ZONES
- POT DETECTOR
- TEMPERATURE MANAGER
- TEMPERATURE MANAGER

A. DUCT OUT F. RE-CIRCULATING

Size	83x51x21 cm	
Finish	Black glass	
Model	Duct out / Re-circulating	

	HOB	
	NIKOLATESLA HP	NIKOLATESLA
Absorption	7,4 kW	7,4 kW
Frequency	50 - 60 Hz	50 - 60 Hz
Voltage	220 - 240 V	220 - 240 V
Cooking areas	4 (2,1 - 3,7 kW) - 180X200 mm	1 (2,1 - 3 kW) - 180X200 mm
		1 (1,6 - 1,85 kW) - 180X200 mm
		1 (2,3 - 3 kW) - Ø 200 mm
		1 (1,4 kW) - Ø 160 mm
Bridge Zones	2	1

Functions	NIKOLATESLA HP	NIKOLATESLA
TOUCH CONTROL	✓	✓
9 POWER LEVEL	✓	✓
POWER BOOSTER	✓	✓
RESIDUAL HEAT INDICATOR	✓	✓
AUTOMATIC HEAT UP	✓	✓
TIMER	✓	✓
EGG TIMER	✓	✓
SAFE ACTIVATION & CHILD LOCK	✓	✓
SAFETY SHUT DOWN	✓	✓
COLD SURFACE	✓	✓

* The selected cooking zone is set at a power level between 0-1.

ASPIRATION SYSTEM

	Duct out Model	Re-circulating Model
Controls	9 speeds + Booster	TOUCH CONTROL
IEC airflow m³/h	165-400 (647)	165-400 (647)
Max noise level db(A)	37-59 (70)	37-59 (70)
Absorption W	160	160
Duct size	150 mm	150 mm
Grease filter	Aluminium	
Ceramic filter		Included

MODELS		
NIKOLATESLA HP Duct Out	PRF0120975	
NIKOLATESLA HP Recirculate *	PRF0120976	
NIKOLATESLA Duct Out	PRF0120977	
NIKOLATESLA Recirculate *	PRF0120978	

* Model not subject to compulsory energy certification.

Installation accessories on page 222.



THE NEW, HIGH-PERFORMANCE CERAMIC ODOUR FILTERS, USED IN THE RE-CIRCULATING MODE OF NIKOLATESLA, ARE DIRECTLY ACCESSIBLE FROM THE COOKTOP. SIMPLY BY REMOVING THE ACCESS PANEL THE FILTERS CAN EASILY BE TAKEN OUT AND CLEANED.



SIMILARLY, YOU CAN EASILY REACH THE ALUMINIUM GREASE FILTER FOR REMOVAL AND CLEANING IN A DISHWASHER.

TO PROTECT THE EXTRACTOR FROM DAMAGE EVEN FROM LARGE SPILLAGES, NIKOLA TESLA HAS A LIQUID COLLECTION CONTAINER WHICH IS EASY TO DRAIN AND CLEAN.



COOKING VAPOURS AND ODOURS RISE AT A MAXIMUM SPEED OF ABOUT 1 M/S AND ARE QUICKLY CAPTURED BY NIKOLATESLA, WHICH HAS A FUMES CAPTURE SPEED OF ABOUT 5 M/S. EFFECTIVELY CATCH PRACTICALLY ALL THE VAPOURS AND ODOURS

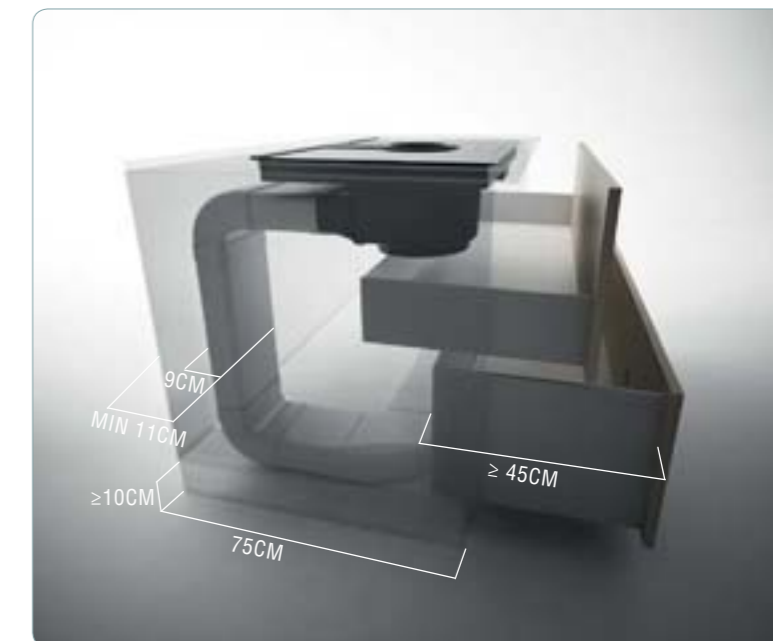
ELICA PATENT 102016000034820



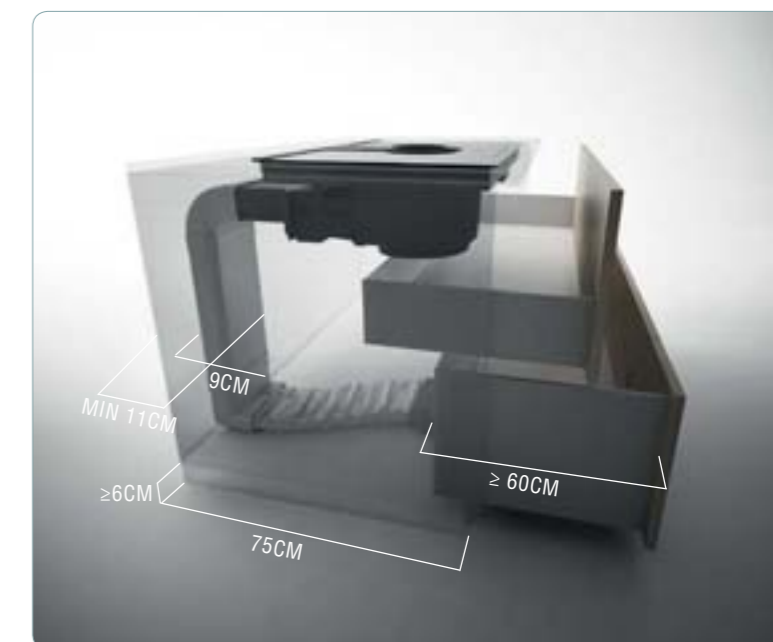
NIKOLATESLA HAS BEEN DESIGNED FOR MAXIMUM INSTALLATION FLEXIBILITY AND THE MOST EFFICIENT USE OF CABINET SPACE. ADJUSTABLE REAR DUCTING, CAN BE POSITIONED IN DIFFERENT WAYS TO ALLOW FOR DIFFERENT STORAGE OPTIONS BELOW THE HOB.

NIKOLATESLA IS AVAILABLE IN DUCT-OUT OR RE-CIRCULATING MODES

NIKOLATESLA STANDARD DUCT-OUT MODE



NIKOLATESLA STANDARD RE-CIRCULATING MODES



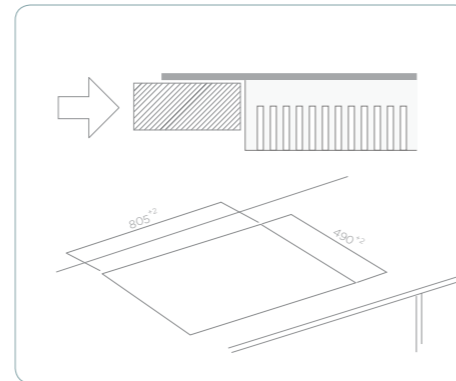


NIKOLATESLA HAS BEEN DESIGNED TO FIT INTO MANY DIFFERENT KITCHEN LAYOUTS.

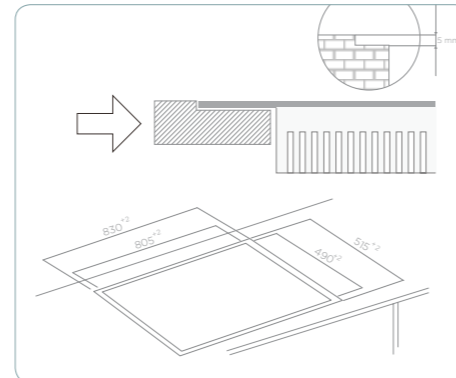
NIKOLATESLA CAN BE INSTALLED DIRECTLY IN THE WORKTOP WITH 4MM PROFILE OR FLUSH FITTED WITH ONLY A 1MM GAP



STANDARD



FLUSH FIT



IN THE BOX

IN THE RE-CIRCULATING MODE IT COMES COMPLETE WITH ALL COMPONENTS NEED FOR STANDARD INSTALLATION INCLUDING THE EXCLUSIVE CHROMIUM PLATED PROFILE FOR THE PLINTH OUTLET, FOR THE DUCT-OUT MODE A WIDE RANGE OF DUCTING IS AVAILABLE TO SUIT ANY INSTALLATION.

NIKOLATESLA STANDARD DUCT-OUT MODE



Installation accessories on page 250.

NIKOLATESLA STANDARD RE-CIRCULATING MODES

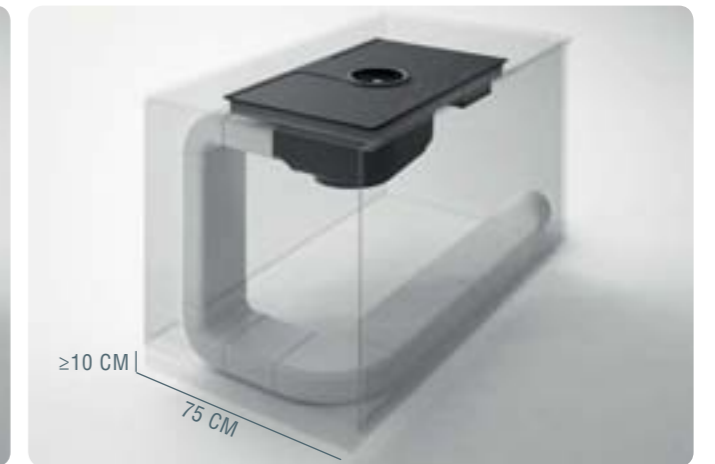
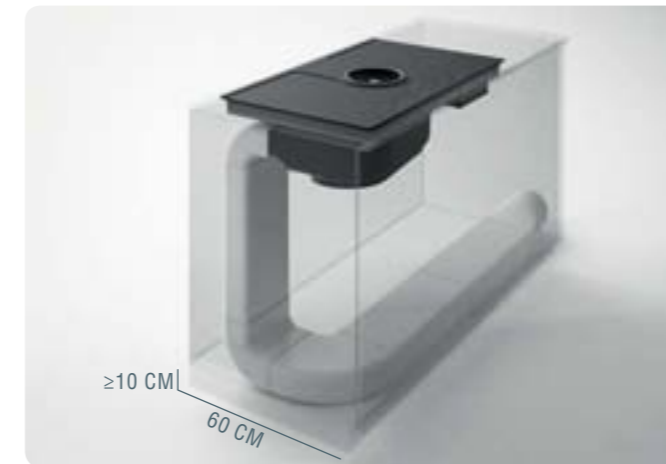


DUCT-OUT

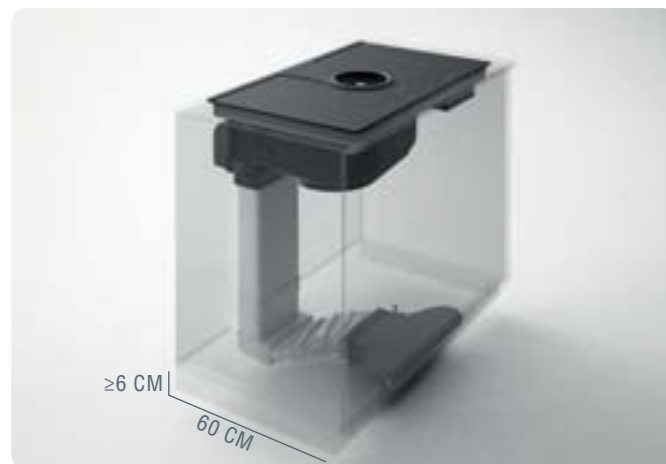
NIKOLATESLA'S INTELLIGENT SYSTEM ALLOWS THE EXTRACTOR TO ADJUST AUTOMATICALLY ACCORDING TO THE HOB USAGE



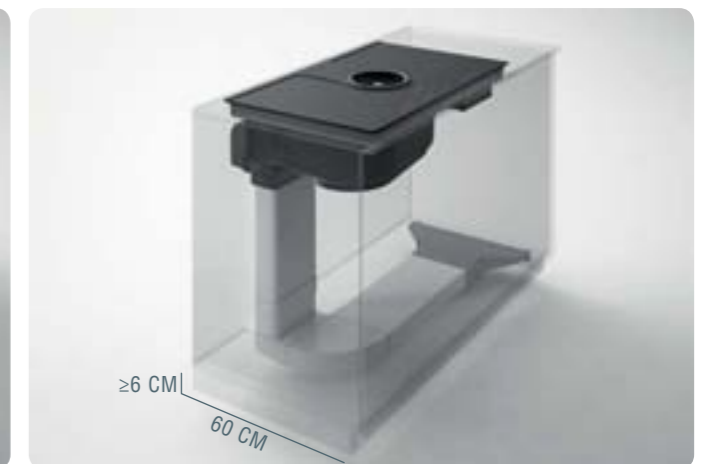
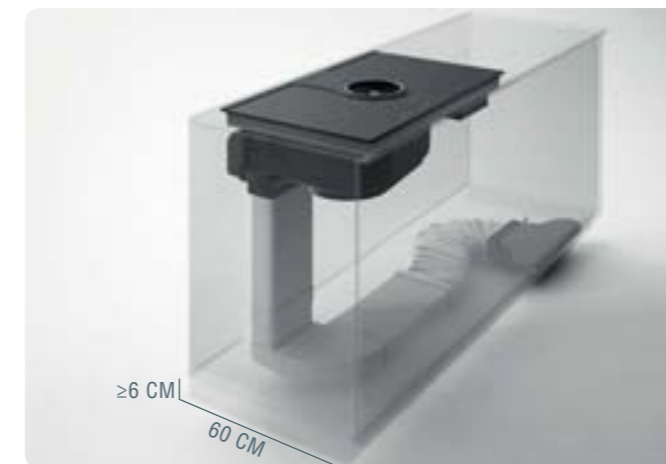
COOKING VAPOURS ARE CONVEYED TO THE OUTSIDE THROUGH DUCTING UNDER THE PLINTH WHICH CAN BE AS LOW AS 100MM



RE-CIRCULATING



THE RE-CIRCULATING MODE IS SUPPLIED COMPLETE WITH ALL COMPONENTS FOR EASY INSTALLATION WITH PLINTHS AS LOW AS 60MM



STREAM

SNAP AIR QUALITY BALANCER

SNAP, 'AIR QUALITY BALANCER' IS AN INNOVATIVE PRODUCT FOR EXTRACTING BAD AIR, IT MONITORS AND IMPROVES THE QUALITY OF THE AIR ENVIRONMENT AUTOMATICALLY. BY CALIBRATING SNAP TO THE ENVIRONMENT AND PERSONAL WISHES, IT IMPROVES THE QUALITY OF AIR AND SENSE OF WELL-BEING.





SNAP COMMUNICATES WITH THE OUTSIDE OF YOUR HOUSE THROUGH A HOLE IN THE WALL, BY MEANS OF WHICH IT REMOVES UNPLEASANT ODOURS, POLLUTANTS AND EXCESS VAPOURS. SNAP CAN DO IT WITH MINIMUM HEAT LOSS AND PREVENTING INSECTS OR OTHER UNPLEASANT 'GUESTS' FROM GETTING INTO YOUR HOME.



Snap has been the focus of scientific studies developed by EcamRicert, a prestigious institute for environmental research which is certified and operates throughout Europe. Measurements carried out before and after the contamination and following the activation of Snap have demonstrated that both the chemical and physical polluting agents (Voc, nicotine, aldehydes, aromatic compounds, poly-cyclical hydro-carbons) as well as micro-biological ones (dust, pollen, mites, viruses, bacteria) were substantially reduced.



YOUR AIR, ALWAYS REFRESHED

Snap registers the conditions of humidity, temperature and the air-quality in the room automatically activating a calibrated exchange of air-flow according to the specific needs, whenever it detects the presence of pollutants or an excess of humidity.



LESS ODOURS

Snap reduces the persistence of unpleasant odours from cooking, detergents, paints or other building materials.



MAXIMUM AUTONOMY

Snap, monitoring air-conditions, always knows when and to what extent it should intervene in order to ensure a complete exchange of fresh-air.



WHEREVER YOU MAY BE

Snap App allows to keep the values relating to the quality of indoor-air under control, in real-time from wherever, and to have access to the extra contents and upgrades.



PERFECT FOR EVERY ENVIRONMENT

The shape and unobtrusive design of Snap makes it adaptable to any indoor environment. The innovative carefully selected, materials give the product elegance and resistance to wear.



IN CONTINUAL UPGRADE

Snap is able to upgrade its own software autonomously, in order to ensure optimal functioning over time.

SENSORS



AIR QUALITY

DETECTS THE PRESENCE OF POLLUTANTS LIKE VOC, (VOLATILE ORGANIC COMPOUNDS) THAT ORIGINATE FROM EITHER SMOKE, DETERGENTS, SPRAYS, BUILDING-MATERIALS OR COOKING ODOURS.



HUMIDITY

KEEPS THE HUMIDITY CREATED BY COOKING OR OTHER ACTIVITIES UNDER CONTROL, THUS REDUCING THE FORMATION OF BACTERIA AND MOULD WHICH ARE LIKELY TO 'APPEAR' IN EXTREMELY HUMID ENVIRONMENTS.



TEMPERATURE

MONITORS THE TEMPERATURE TO ENSURE THE BEST THERMAL COMFORT.

THE MOTOR

SNAP IS EQUIPPED WITH A LATEST GENERATION "BRUSHLESS" MOTOR FOR HIGH EFFICIENCY ENERGY CONSUMPTION IS ONLY 7W AT MAXIMUM ASPIRATION SPEED.





FIVE FUNCTIONS PERMIT ENABLE SNAP TO BE SET ACCORDING TO SPECIFIC NEEDS.



AUTOMATIC

When set to stand-by Snap activates automatically and only when it is necessary. Should one of its sensors detect different values as compared to previous registered ones identified as the "ideal situation", it will automatically start. It removes from the environment odours, pollutants, excessive humidity and possible proliferation of bacteria, moulds, viruses etc. It monitors the temperature and regulates the outgoing air flow in order to limit heat loss.



DETOX

It monitors the air-quality, and clears odours and pollutants like dust, pollens, mites, chemical pollutants deriving from smoke, sprays, detergents, paints, and cooking odours and smoke.



DRY

Snap focuses on monitoring the humidity level and whenever necessary, it activates an exchange of fresh air, thus reducing the formation of condensation and moulds. It takes care over your health, the conservation of your indoor environments and all that is there.



MANUAL

Snap can be switched on whenever you want to activate it. Should you feel the need to air your room. Snap either on minimum or on high speed. It will completely exchange the air in a 25sqm room in just 30 min.



LINK

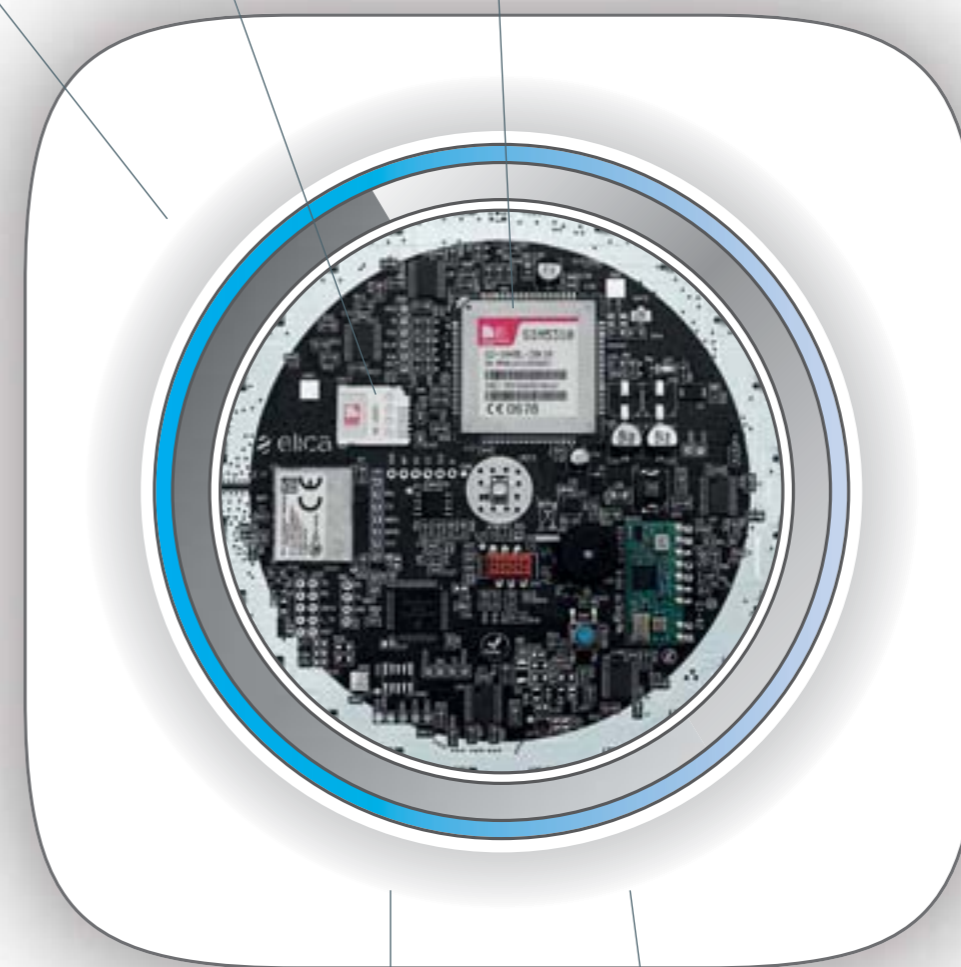
Snap will co-ordinate with an Elica Sense hood to quickly restore optimum air quality. The Sense hood using it's wifi connection, will automatically activate Snap.



- SUPPORTED WIRELESS SECURITY: OPEN, WEP, WPA2
- WORKING WI-FI CONNECTION: 802.11 B/G/N @ 2.4GHZ
- SSID: NOT HIDDEN
- WI-FI ENTERPRISE CONNECTION: NOT SUPPORTED



INTERNET



SMARTPHONE



SMARTPHONE OR TABLET
- WITH IOS 7 OR LATER
- WITH ANDROID 4.03 OR LATER



SENSORS

AIR QUALITY

HUMIDITY

TEMPERATURE



REMOTE CONTROL

Snap can be managed through **Snap App** or activated by the **remote control** supplied. Very easy to use, Snap App allows you to read the values relating to humidity, quality and air-temperature at any moment, as well as manage Snap and its functions, and have access to a whole world of services, free upgrades and new functions. Modern as well as ergonomic, the remote-control device allows you to control your Snap from any corner of the room. The glass and the touch-control keys, confer on it style and elegance.



COLOURS



WHITE



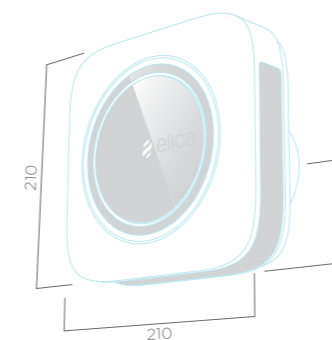
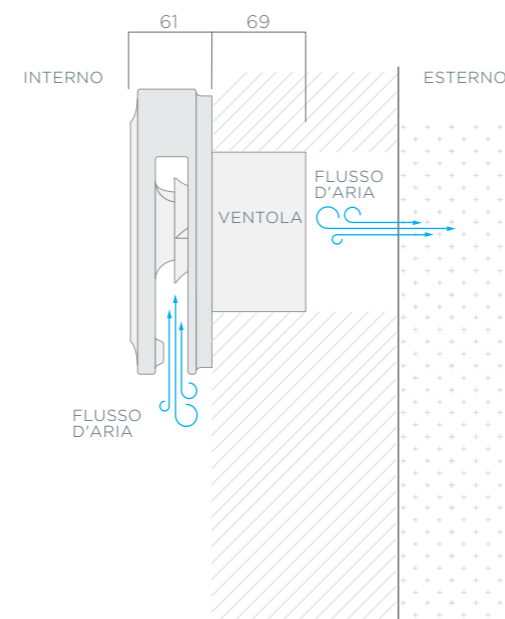
BLACK



TAUPE BROWN

MODELS

SNAP White	PRF0100921
SNAP Black	PRF0104869
SNAP Taupe	PRF0114112



Size	
Height	210 mm
Wide	210 mm
Deep	61 + 69 mm
Duct height	105 mm

SNAP
DESIGN FABRIZIO CRISA



TECHNICAL DATA

Power consumption	3 W (vel.min) - 7 W (vel.max)
Airflow	60 m³/h (vel.min) - 150 m³/h (vel.max)
Revolution	1650±50 RPM (vel.min) - 2350±50 RPM (vel.max)
Pressure	28 Pa (vel.min) - 56 Pa (vel.max)
Noise LW	47 dbA (vel.min) - 60 dbA (vel.max)
Noise LP a 3 mt	27 dbA (vel.min) - 40 dbA (vel.max)

SENSORS

Temperature	-40°C to +125°C
Humidity	0 to 100%
Air quality	Hydrogen (H ₂) 1 to 1000 ppm Carbon Monoxide (CO) 5 to 1000 ppm Propane (C ₃ H ₈) 3 to 2000 ppm (10% LIE) Iso-Butane (C ₄ H ₁₀) 5 to 2000 ppm (10% LIE) Ethanol (C ₂ H ₅ O) 1 to 1000 ppm Methane (CH ₄) 200 to 3000 ppm Ammonia (NH ₃) 5 to 1000 ppm

LIGHT SIGNALS

Active function	RGB CENTRAL LED
Working and other states	RGB CROWN LED

NECESSARY REQUIREMENTS

Supply voltage (Vac)	230 / 50 Hz
Installation on the wall	NEEDED HOLE 119MM



IO AIR SENSE

ELICA DESIGN CENTRE



≥ 45 cm



≥ 45 cm



WIRELESS CONNECTIVITY



HIGH PERFORMANCE



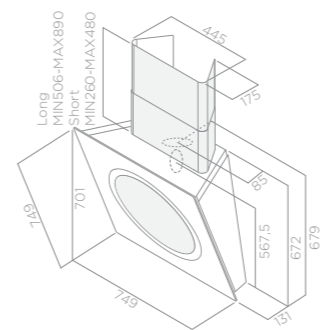
BACK ASPIRATION



EASY INSTALLATION



ENERGY CLASS A



Size	75 cm
Finish	Black glass, white glass
Mode	Duct out or re-circulating

Controls	3 speeds + Boost Touch control (Sensor)
Lighting	Strip LED 7w 4000K
IEC airflow m³/h	224-464 (625)
Noise level db(A)	43-58 (65)
Total absorption W	267
Duct size	150 mm
Grease filter	Polyurethane
Standard charcoal filter	Included

OPTIONAL ACCESSORIES

Long chimney kit (h506-890)	KIT0010439
Short chimney kit (h260-480)	KIT0010700
White remote control kit	KIT0121468
Black remote control kit	KIT0121469

Kit remote control optional. See page 219 for available designs.

MODELS

IO AIR SENSE Black	PRF0110536
IO AIR SENSE White	PRF0110537

Upon activation, the centre ring electronically moves inwards, allowing perimeter suction.



MAJESTIC
SENSE
DESIGN FABRIZIO CRISA

STREAM

Majestic Sense is equipped with a unique anti-condensation No-Drops system. The glass heats up just like a car's rear windscreen and any internal condensation is collected in a container. The design is simple and clean, enhanced by steel and glass details.

DESIGN IS SIMPLE AND CLEAN.





≥ 45 cm



≥ 60 cm



WIRELESS CONNECTIVITY



HIGH PERFORMANCE



DOUBLE BREATH



BACK ASPIRATION



EASY INSTALLATION

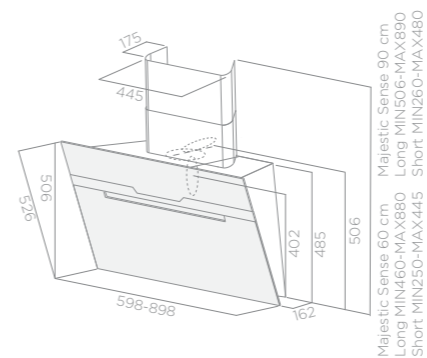


NO-DROPS



MAJESTIC SENSE

DESIGN FABRIZIO CRISÀ



Size	60 - 90 cm
Finish	Black glass + stainless steel
Mode	Re-circulating or duct out

Controls	3 speeds + Boost Touch control (Sensor)
Lighting	Strip LED 7w 4000K
IEC airflow m ³ /h	240-496 (603)
Noise level db(A)	46-60 (66)
Total absorption W	300
Duct size	150 mm
Grease filter	Aluminium
Standard charcoal filter	Included

OPTIONAL ACCESSORIES	
Long chimney kit (h460 – 880)	KIT0010519 (60 cm)
Short chimney kit (h250 – 445)	KIT0010701 (60 cm)
Long chimney kit (h506 – 890)	KIT0010439 (90 cm)
Short chimney kit (h260 – 480)	KIT0010700 (90 cm)
White remote control kit	KIT0121468
Black remote control kit	KIT0121469

Kit remote control optional. See page 219 for available designs.

MODELS	
MAJESTIC SENSE Black 60	PRF0120211
MAJESTIC SENSE Black 90	PRF0120209



NUANCE PAINTABLE



NUANCE SENSE

DESIGN FABRIZIO CRISÀ



≥ 50 cm



≥ 65 cm



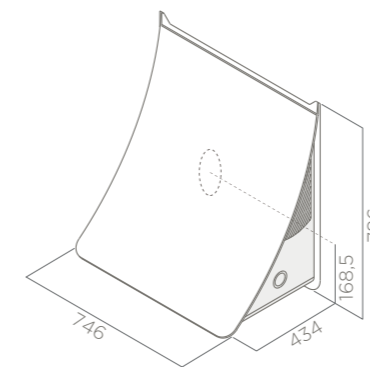
WIRELESS CONNECTIVITY



BACK ASPIRATION



ENERGY CLASS A



Size	75 cm
Finish	Stainless steel to be paneled with drywall (not included), paintable stainless steel
Mode	Re-circulating or duct out

Controls	3 speeds + Boost Touch control (Sensor)
Lighting	Strip LED 7w 4000K
IEC airflow m ³ /h	240-448 (581)
Noise level db(A)	49-62 (65)
Total absorption W	227
Duct size	150 mm
Grease filter	Polyurethane
Standard charcoal filter	Included

OPTIONAL ACCESSORIES

White remote control kit	KIT0121468
Black remote control kit	KIT0121469

Kit remote control optional. See page 219 for available designs.

MODELS

NUANCE SENSE Drywall	PRF0110538
NUANCE SENSE Paintable	PRF0110501

Unique model that can be customized according to the customer's needs. Two versions available: with plasterboard panels (6mm thick) or paintable steel. Drywall not included in the packaging. The images shown are only examples of demonstration designs.



PRIMA SENSE
DESIGN FABRIZIO CRISÀ



≥ 50 cm



≥ 65 cm



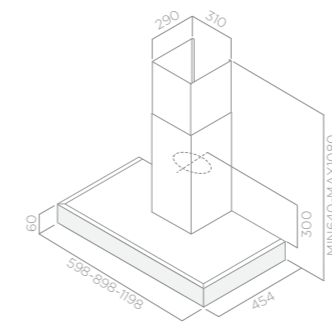
WIRELESS CONNECTIVITY



LONG LIFE FILTER



ENERGY CLASS



Size	60 - 90 - 120 cm
Finish	Stainless steel + black glass
Mode	Re-circulating or duct out

Controls	3 speeds + Boost Touch control (Sensor)
Lighting	LED 2x2,5w 4000K
IEC airflow m³/h	240-432 (559)
Noise level db(A)	49-62 (68)
Total absorption	225 W
Duct size	150 mm
Grease filter	Stainless Steel
Standard charcoal filter	Included

OPTIONAL ACCESSORIES	
Long life filter	F00262/3S
White remote control kit	KIT0121468
Black remote control kit	KIT0121469

Kit remote control optional. See page 219 for available designs.

MODELS	
PRIMA SENSE 60	PRF0110503
PRIMA SENSE 90	PRF0110504
PRIMA SENSE 120	PRF0110502



EMPTY SKY SENSE

DESIGN FABRIZIO CRISÀ



≥ 50 cm



≥ 60 cm



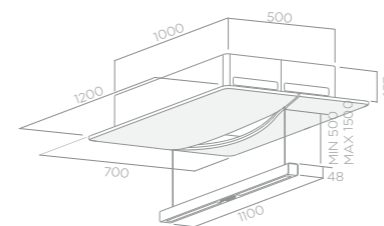
WIRELESS CONNECTIVITY



REVOLUTION FILTER



DIM-LIGHT



Size	120x70 cm
Finish	White Cristalplant
Mode	Re-circulating

Controls	3 speeds + Boost touch control (sensor)
Remote control	Included
Lighting	Strip LED 7w 4000K
IEC airflow m ³ /h	135-272 (559)
Noise level db(A)	39-60 (76)
Total absorption W	267
Grease filter	Aluminium
Long life filter	Included

OPTIONAL ACCESSORIES	
Revolution filter	KIT0120951

MODELS	
EMPTY SKY SENSE	PRF0120974

Model not subject to compulsory energy certification.

Cristalplant® is a hypoallergenic, non-toxic material that is scratch resistant and tactile. Its appearance is easily maintained with the special abrasive cloth that is supplied with it.

The minimum installation height is the minimum height of the lamp bar above the cooktop. For optimum performance we recommend a maximum distance for the hood of 2.30m from the floor



DIVA SENSE CLASSIC
White ceiling cover, chromed bracket



DIVA SENSE ROCK
Stainless steel ceiling cover, stainless steel bracket



DIVA SENSE JAZZ
Beige ceiling cover, stainless steel bracket



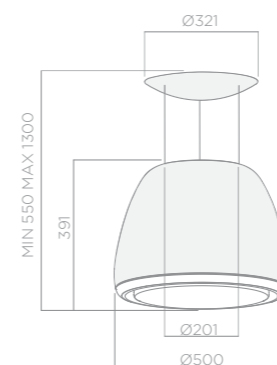
DIVA SENSE HEAVY METAL
Stainless steel ceiling cover, black bracket



DIVA SENSE
DESIGN FABRIZIO CRISÀ



- ≥ 50 cm
- ≥ 65 cm
- WIRELESS CONNECTIVITY
- REVOLUTION FILTER
- EASY INSTALLATION
- ENERGY CLASS A



Size	Ø 50 cm
Finish	Coloured metal, shiny stainless steel
Mode	Re-circulating

Controls	3 speeds + Boost touch control (sensor)
Remote control	Included
Lighting	LED 9w 3500K
IEC airflow m³/h	165-336 (384)
Noise level db(A)	50-59 (60)
Total absorption W	54
Grease filter	Polyurethane
Long life filter	Included

OPTIONAL ACCESSORIES	
Revolution filter	KIT0120956
Extension cable kit (5m SS)	KIT0112772

MODELS	
DIVA SENSE CLASSIC	PRF0110534
DIVA SENSE ROCK	PRF0110532
DIVA SENSE JAZZ	PRF0110531
DIVA SENSE HEAVYMETAL	PRF0110533

Installation options
 DIVA (etc) can be ceiling or wall mounted and comes complete with cables and brackets for either.
 When suspended from the ceiling we recommend a minimum distance from the ceiling of 810mm.
 In wall or ceiling installation the minimum clearance form the ceiling is 510mm.





BELLE SENSE CLASSIC
White ceiling cover, chromed bracket



BELLE SENSE ROCK
Stainless steel ceiling cover, stainless steel bracket



BELLE SENSE JAZZ
Beige ceiling cover, stainless steel bracket



BELLE SENSE HEAVY METAL
Stainless steel ceiling cover, black bracket



BELLE SENSE
DESIGN FABRIZIO CRISÀ



≥ 50 cm



≥ 65 cm



WIRELESS CONNECTIVITY



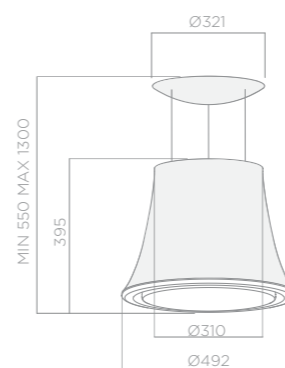
REVOLUTION FILTER



EASY INSTALLATION



ENERGY CLASS A



Size	Ø 50 cm
Finish	Coloured metal, shiny stainless steel
Mode	Re-circulating

Controls	3 speeds + Boost touch control (sensor)
Remote control	Included
Lighting	LED 9w 3500K
IEC airflow m³/h	165-336 (384)
Noise level db(A)	50-59 (60)
Total absorption W	54
Grease filter	Polyurethane
Long life filter	Included

OPTIONAL ACCESSORIES

Revolution filter	KIT0120956
Extension cable kit (5m SS)	KIT0112772

MODELS

BELLE SENSE CLASSIC	PRF0110530
BELLE SENSE ROCK	PRF0110528
BELLE SENSE JAZZ	PRF0110527
BELLE SENSE HEAVYMETAL	PRF0110529

Installation options

DIVA (etc) can be ceiling or wall mounted and comes complete with cables and brackets for either.

When suspended from the ceiling we recommend a minimum distance from the ceiling of 810mm.

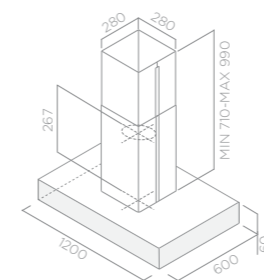
In wall or ceiling installation the minimum clearance from the ceiling is 510mm.





PRIMA SENSE ISLAND

DESIGN FABRIZIO CRISÀ



Size	120x60 cm
Finish	Stainless steel + black glass
Mode	Re-circulating or duct out

Controls	3 speeds + Boost Touch control (Sensor)
Lighting	LED 4x2,5w 4000K
IEC airflow m³/h	240-432 (559)
Noise level db(A)	49-62 (68)
Total absorption W	230
Duct size	150 mm
Grease filter	Stainless steel
Standard charcoal filter	Included

OPTIONAL ACCESSORIES	
Long life filter	F00262/3S
White remote control kit	KIT0121468
Black remote control kit	KIT0121469

Kit remote control optional. See page 219 for available designs.

MODELS	
PRIMA SENSE ISLAND	PRF0110535

STREAM LIEN HOBS

INDUCTION HOBS EQUIPPED WITH A WIRELESS SYSTEM THAT CONNECTS THEM WITH THE HOOD. THE HOODS, WHICH ARE EQUIPPED WITH SENSORS, RECEIVE INFORMATION FROM THE HOB ABOUT THE TYPE OF COOKING, AND REGULATE THEIR ASPIRATION CAPACITY ACCORDINGLY.



#SENSIBILITY #COMMUNICATION #BREATH #CONNECTION



WIRELESS CONNECTIVITY

The LIEN hobs are equipped with wireless technology which allows the transmission in real time of information on the use of the hob: active zones, cooking power and the presence of pots.



TEMPERATURE MANAGER

The hob can be used with three programmes (42, 74 or 92 degrees) to always ensure perfect cooking. Temperature settings are optimised both for very delicate types of cooking (mousse, sauces, keeping food warm) or for cooking that requires high power (for example boiling).



BRIDGE ZONES

The Bridge function enables zones to work individually or to be joined together when using large pans and pots - the hob that adapts to the pans being used.



POT DETECTOR

Elica induction hobs automatically detect the presence of pots on the cooking zones, in order to facilitate cooking, avoiding tedious steps and energy waste: just place the pot and directly select the desired power level.



POWER LIMITATION

The Power Limitation function automatically limits the power consumption according to which of the three power thresholds (3 kW, 4,5 kW and max) is set at installation. This is very useful where power supply is limited.



CHEF COOK

The Chef Cook function sets the 4 zones automatically with a selected power which increases from the left to the right side. Once the Chef Cook has been set, the pot can be moved from one zone to another depending on the required cooking temperature - as in a professional kitchen.



STOP&GO

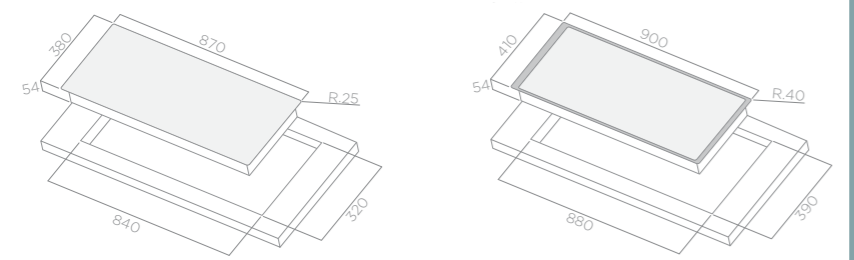
Stop&Go allows you to switch the hob off, and then to quickly resume use at the previous temperature settings.

- 1 TOUCH CONTROL**
THE TOUCH CONTROLS ALLOW YOU TO EASILY AND INDEPENDENTLY CONTROL THE COOKING ZONES, AND THANKS TO THE INDICATORS THAT SHOW THE SET POWER LEVEL, EACH ZONE IS VERY SIMPLE TO MONITOR.
- 2 POWER BOOSTER**
THE POWER BOOSTER FUNCTION ENABLES MORE POWER TO BE RELEASED AND ACCELERATES THE HEATING TIME OF EACH COOKING ZONE, SUCH AS BRINGING BIGGER QUANTITIES OF WATER TO THE BOIL
- 3 RESIDUAL HEAT INDICATOR**
SPECIAL LIGHTS WARN IF THE COOKING ZONE IS STILL WARM, EVEN AFTER THE HOB HAS BEEN SWITCHED OFF.
- 4 TIMER**
THANKS TO THE PROGRAMMABLE TIMER, IT IS POSSIBLE TO MANAGE EACH PREPARATION/ COOKING TIME. WHEN DONE, THE HOB WILL GIVE OFF AN ACOUSTIC WARNING AND AUTOMATICALLY SWITCH OFF THE COOKING ZONE CONCERNED.
- 5 EGG TIMER**
ACUSTIC SIGNAL TIMER INDEPENDENT OF COOKING ZONES.
- 6 SAFE ACTIVATION & CHILD LOCK**
WITH LIEN, THE KITCHEN IS SAFER: THE HOBS ONLY SWITCH ON WHEN POTS ARE PRESENT ON THE COOKING ZONES, AND THE CHILD LOCK PREVENTS CHILDREN FROM ACCIDENTLY SWITCHING ON THE HOB.
- 7 COLD SURFACE**
WITH INDUCTION TECHNOLOGY, ONLY THE BOTTOM OF THE POT IS HEATED, WHILE THE REST OF THE HOB SURFACE REMAINS COOL.
- 8 9 POWER LEVEL**
YOU CAN CHOOSE FROM NINE DIFFERENT POWER LEVELS IN A VERY QUICK AND INTUITIVE WAY, FOR EVERY TYPE OF COOKING NEED.
- 9 AUTOMATIC HEAT UP**
THE HOB AUTOMATICALLY HEATS UP AT MAXIMUM POWER AND RESTORES THE LEVEL SELECTED AFTER A SET TIME.
- 10 SAFETY SHUTDOWN**
THE PAUSE FEATURE ALLOWS YOU TO SWITCH THE HOB OFF AND THEN TO QUICKLY RESTART WORKING AT THE SAME TEMPERATURE. WHEN THE PAUSE FEATURE IS ENABLED, THE COOKING ZONE KEEPS A CONSTANT LOW TEMPERATURE.



DIAMOND 874 / DIAMOND FRAME 904

DESIGN FABRIZIO CRISÀ



DIAMOND 874



DIAMOND FRAME 904

Size	870 x 380 x 55 mm, 900 x 410 x 55 mm (FRAME 904)
Finish	Black glass, white glass
Total absorption	7,4 kW
Frequency	50 - 60 Hz
Voltage	220 - 240 V
Cooking areas	4 (2,1-3,7 kW) - 180x200 mm

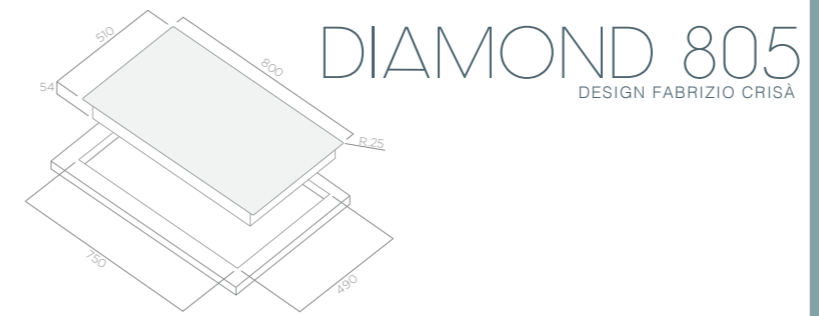
- FUNCTIONS**
- TOUCH CONTROL
 - POWER BOOSTER
 - RESIDUAL HEAT INDICATOR
 - SAFE ACTIVATION & CHILD LOCK
 - TIMER
 - COLD SURFACE

- WIRELESS CONNECTIVITY
- BRIDGE ZONES
- TEMPERATURE MANAGER
- OK
- POT DETECTOR
- CHEF COOK

MODELS

DIAMOND 874 Black	PRF0104116
DIAMOND 874 White	PRF0104117
DIAMOND FRAME 904 Black	PRF0116177
DIAMOND FRAME 904 White	PRF0116176

Possible ways of installation on page 59



DIAMOND 805

DESIGN FABRIZIO CRISÀ

Size	800 x 510 x 55 mm
Finish	Black glass, white glass
Total absorption	11,1 kW
Frequency	50 - 60 Hz
Voltage	220 - 240 V
Cooking areas	5 (2,1-3,7 kW) - 180x200 mm

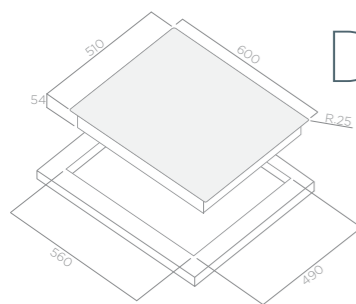
- FUNCTIONS**
- TOUCH CONTROL
 - POWER BOOSTER
 - RESIDUAL HEAT INDICATOR
 - SAFE ACTIVATION & CHILD LOCK
 - TIMER
 - COLD SURFACE

- WIRELESS CONNECTIVITY
- BRIDGE ZONES
- TEMPERATURE MANAGER
- OK
- POT DETECTOR

MODELS

DIAMOND 805 Black	PRF0102888
DIAMOND 805 White	PRF0103771

Possible ways of installation on page 60



DIAMOND 604

DESIGN FABRIZIO CRISA

Size	600 x 510 x 55 mm
Finish	Black glass
Total absorption	7,4 kW
Frequency	50 - 60 Hz
Voltage	220 - 240 V
Cooking areas	4 (2,1-3,7 kW) - 180x200 mm

FUNCTIONS

- TOUCH CONTROL
- POWER BOOSTER
- RESIDUAL HEAT INDICATOR
- SAFE ACTIVATION & CHILD LOCK
- TIMER
- COLD SURFACE

MODELS

DIAMOND 604 Black	PRF0102887
-------------------	------------

Possible ways of installation on page 60



WIRELESS CONNECTIVITY



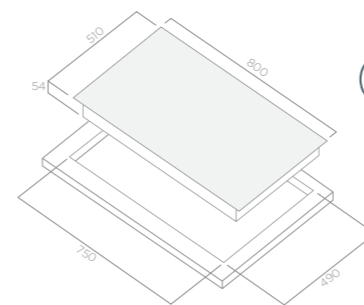
BRIDGE ZONES



TEMPERATURE MANAGER



POT DETECTOR



GOLDEN 805

ELICA DESIGN CENTRE

Size	800 x 510 x 55 mm
Finish	Black glass
Total absorption	7,4 kW
Frequency	50 - 60 Hz
Voltage	220 - 240 V
Cooking areas	3 (1,4 - 2,2 kW) - Ø 145 mm 1 (1,85 - 3 kW) - Ø 180 mm 1 (2,6 - 3,7 kW) - Ø 260 mm

FUNCTIONS

- TOUCH CONTROL
- POWER BOOSTER
- RESIDUAL HEAT INDICATOR
- SAFE ACTIVATION & CHILD LOCK
- TIMER
- COLD SURFACE

MODELS

GOLDEN 805 Black	PRF0103769
------------------	------------

Possible ways of installation on page 61

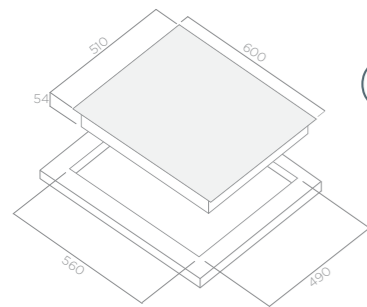


WIRELESS CONNECTIVITY



POT DETECTOR





GOLDEN 604

ELICA DESIGN CENTRE

Size	600 x 510 x 55 mm
Finish	Black glass
Total absorption	7 kW
Frequency	50 - 60 Hz
Voltage	220 - 240 V
Cooking areas	2 (1,4 kW) - Ø 160 mm 2 (1,85 - 2,1 kW) - Ø 200 mm

- FUNCTIONS**
- TOUCH CONTROL
 - POWER BOOSTER
 - RESIDUAL HEAT INDICATOR
 - SAFE ACTIVATION & CHILD LOCK
 - TIMER
 - COLD SURFACE

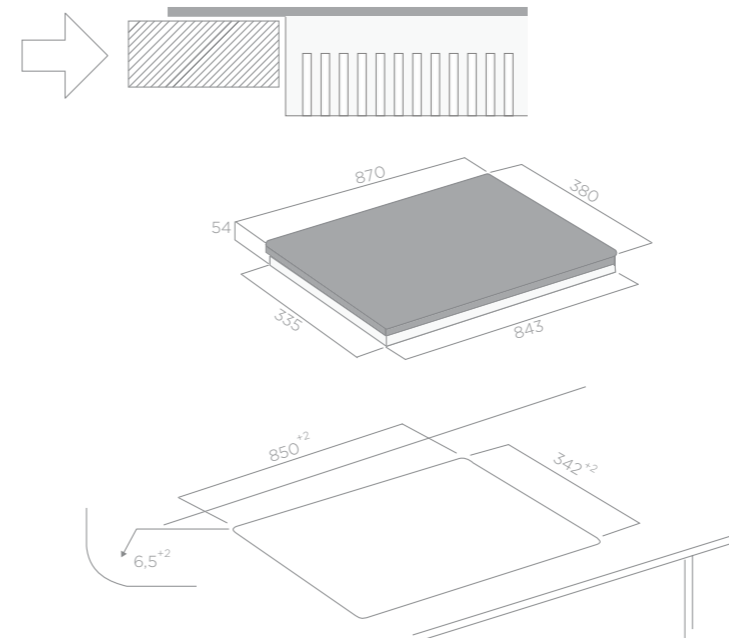
MODELS
GOLDEN 604 Black PRF0103768

Possible ways of installation on page 61

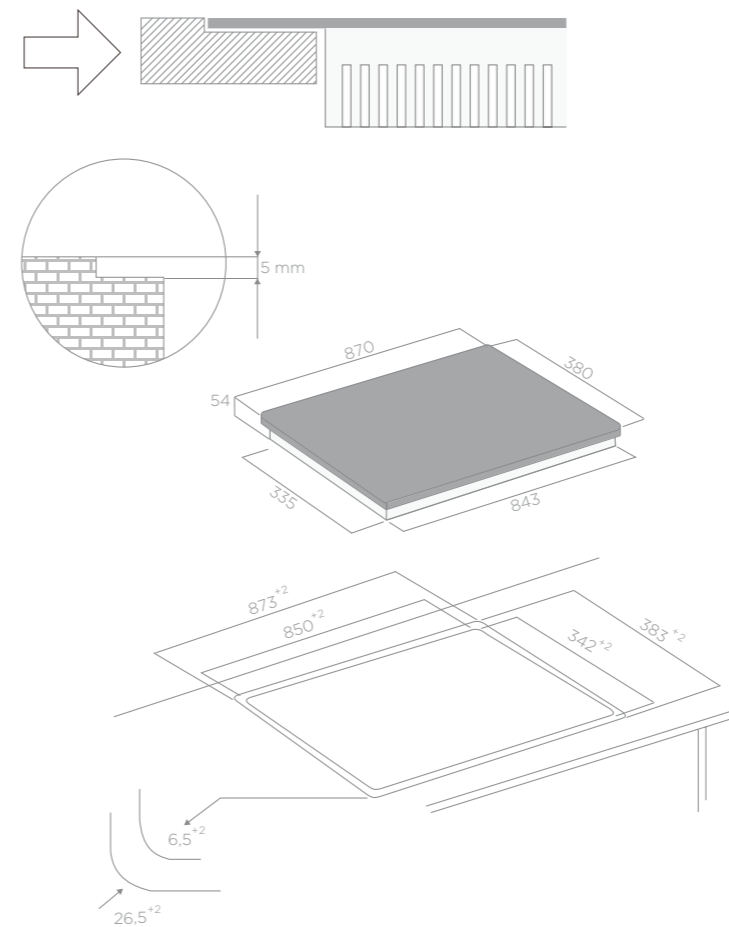


870 MM - DIAMOND 874

STANDARD



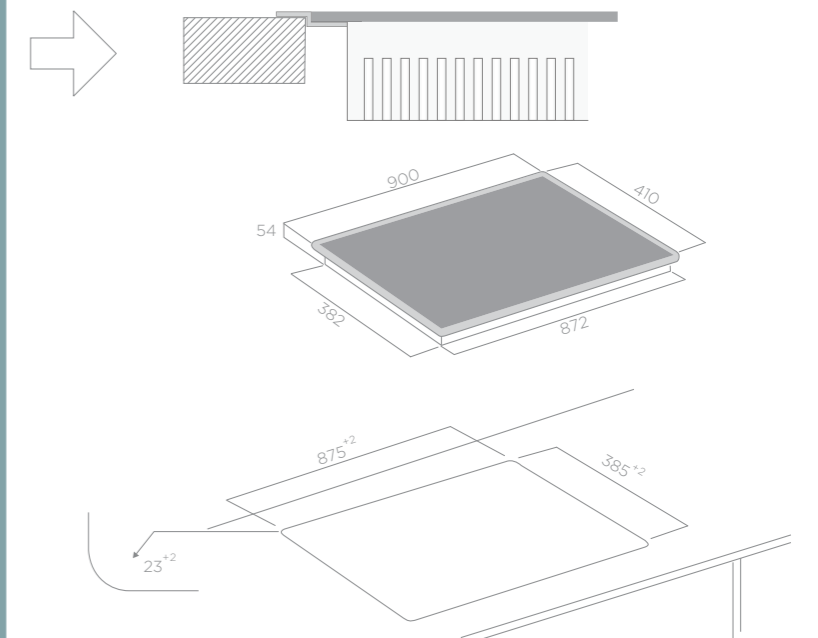
FLUSH FIT



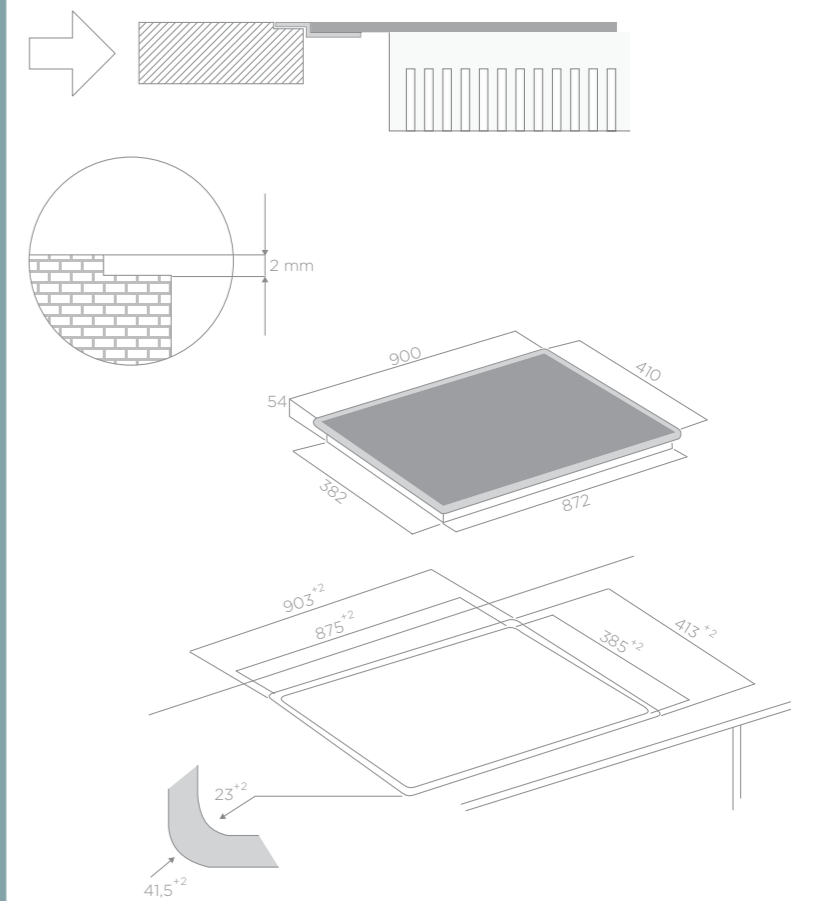
STANDARD - WITHOUT FRAME AND GLASS PROFILE SITTING ON THE WORKTOP
SEMI FLUSH - WITH FRAME SITTING 1MM PROUD ON WORKTOP
FLUSH - WITH 1MM GAP BETWEEN HOB AND WORKTOP

900 MM - DIAMOND FRAME 904

SEMI FLUSH



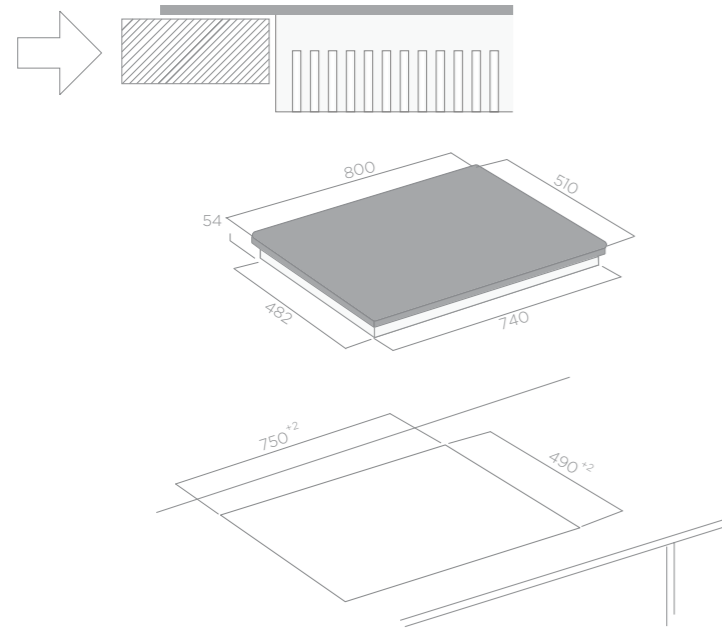
FLUSH FIT



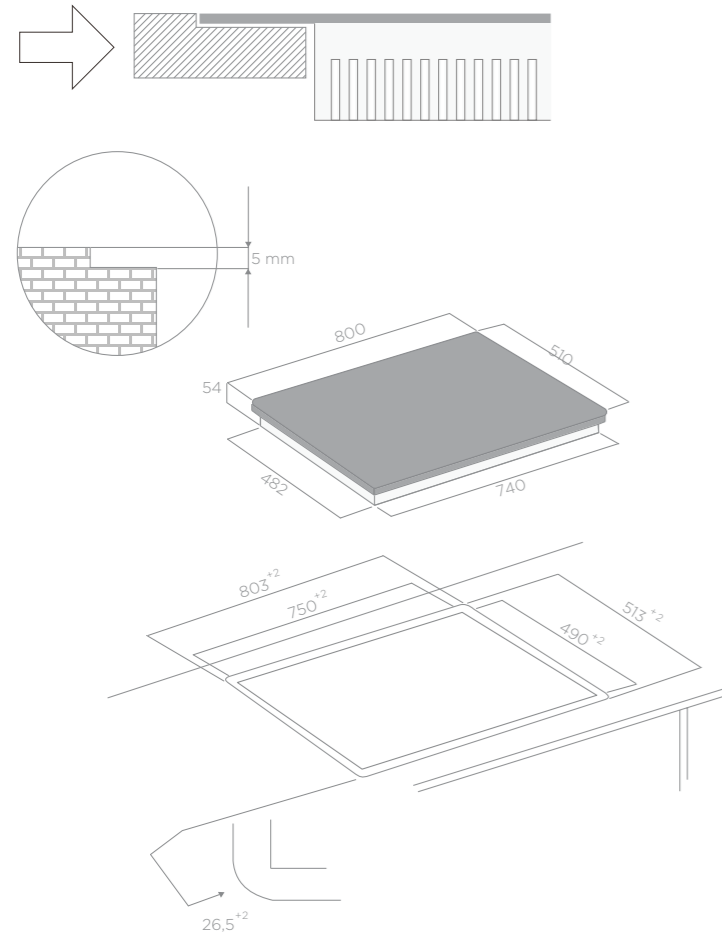


DIAMOND 805

STANDARD



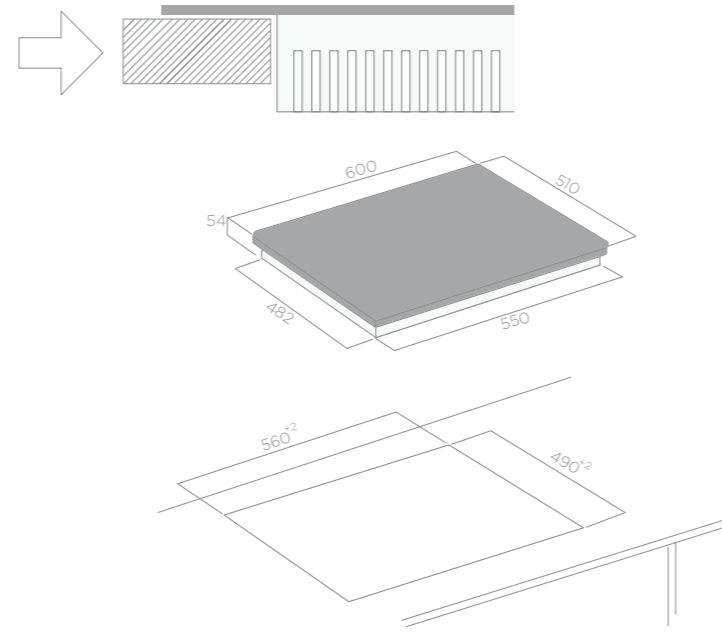
FLUSH FIT



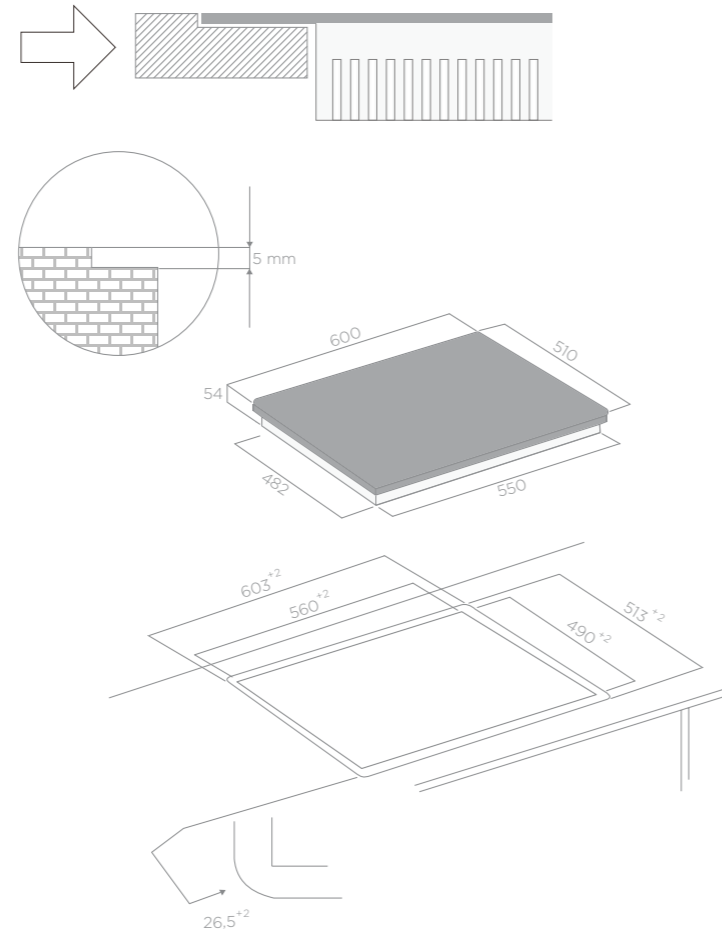
STANDARD - WITHOUT FRAME AND GLASS PROFILE SITTING ON THE WORKTOP
 SEMI FLUSH - WITH FRAME SITTING 1MM PROUD ON WORKTOP
 FLUSH - WITH 1MM GAP BETWEEN HOB AND WORKTOP

DIAMOND 604

STANDARD

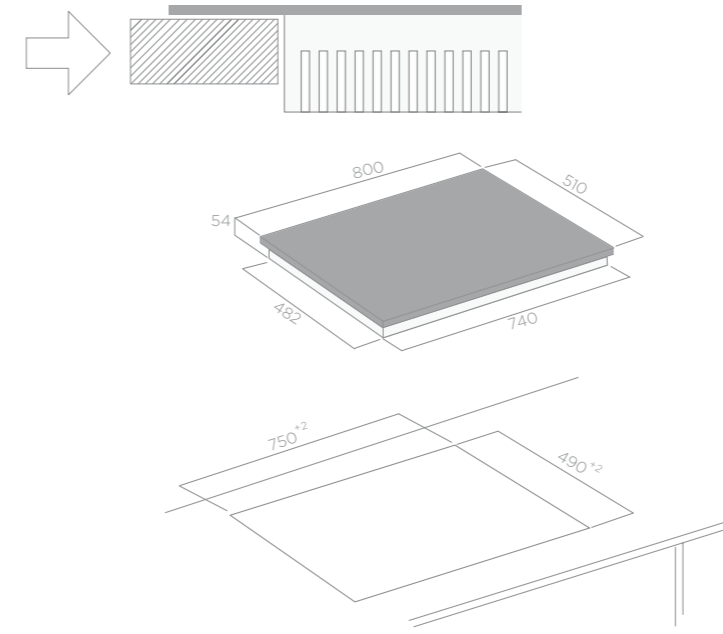


FLUSH FIT

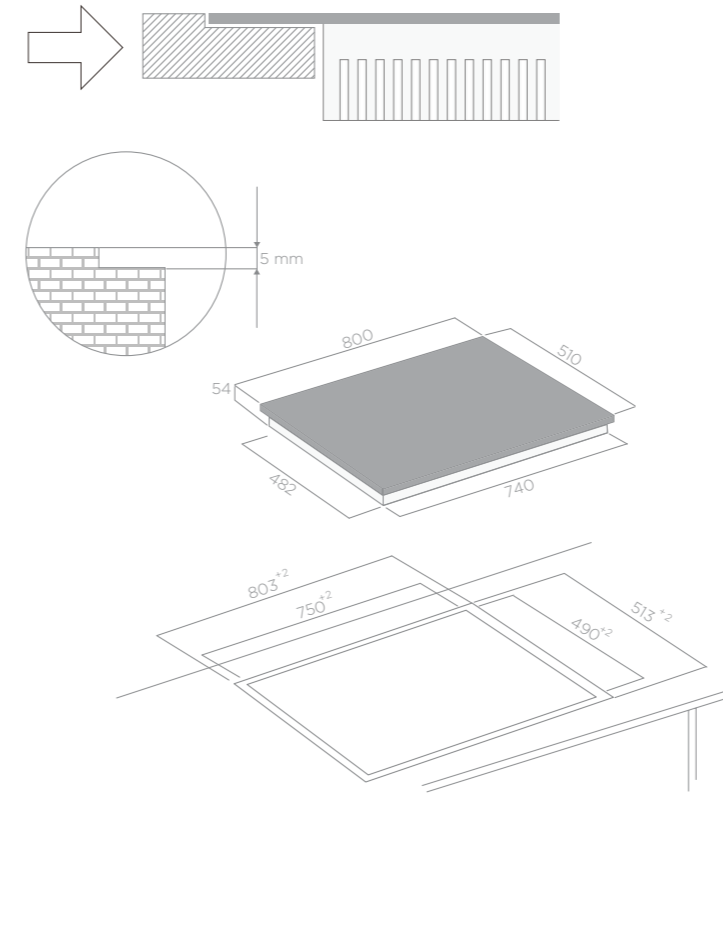


GOLDEN 805

STANDARD



FLUSH FIT

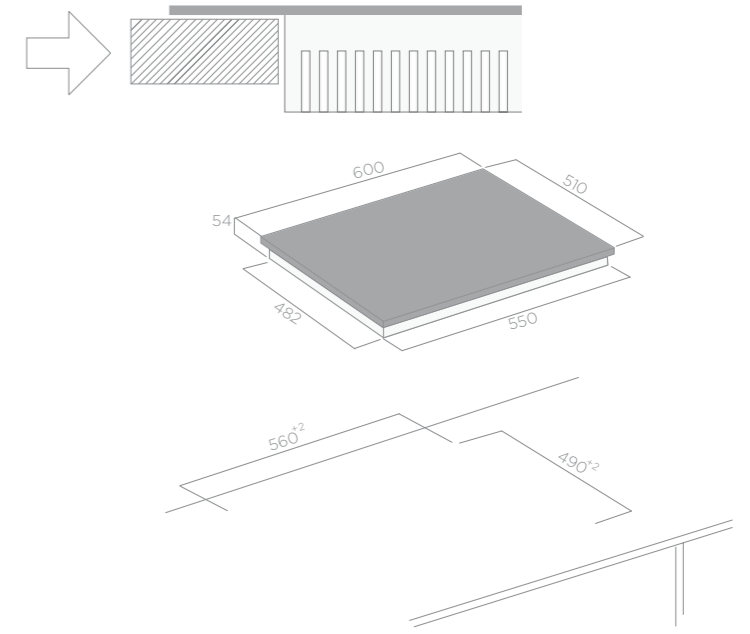


STANDARD - WITHOUT FRAME AND GLASS PROFILE SITTING ON THE WORKTOP
 SEMI FLUSH - WITH FRAME SITTING 1MM PROUD ON WORKTOP
 FLUSH - WITH 1MM GAP BETWEEN HOB AND WORKTOP

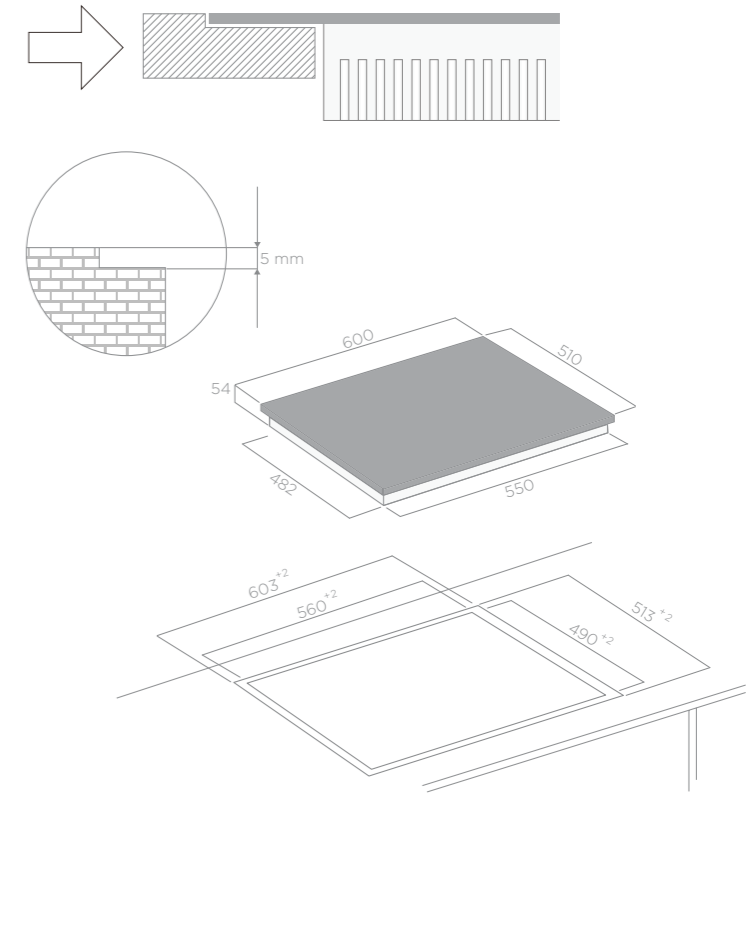


GOLDEN 604

STANDARD



FLUSH FIT





WHY THE INDUCTION HOB

Induction hobs are becoming increasingly common in the kitchen: they represent an ideal combination of performance, functionality and look, while at the same time guaranteeing maximum safety in all types of cooking.

LIEN INDUCTION HOBS IN YOUR KITCHEN: PERFORMANCE, FUNCTIONALITY, SAFETY AND DESIGN.

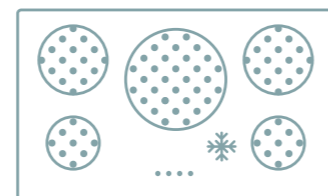
Elica's Lien induction hobs improve and simplify all kinds of cooking, guaranteeing precision and uniformity of the end result.

They also ensure:

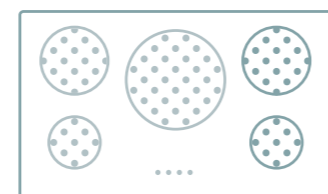
- 1 REDUCTION OF COOKING TIME**
The induction technique means that heat is generated directly in the pot, greatly reducing cooking time while keeping the temperature constant and uniform over the whole surface.
- 2 MAXIMUM SAFETY**
The cooking area is activated only upon contact with the pot, leaving the remainder of the cooktop surface cold, thus guaranteeing maximum safety and avoiding energy waste.
- 3 FLEXIBILITY**
Induction hobs allow a larger cooking area to be used, ensuring maximum flexibility.
- 4 EASE OF USE**
For every kitchen requirement, use is easy and direct: just a simple touch to adjust power and temperature in each zone.
- 5 ELICA DESIGN**
Elegant, efficient, and easy to clean, Elica's Lien induction hobs satisfy all your kitchen cooking demands.



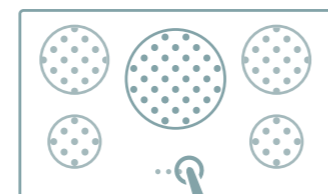
1



2



3



4

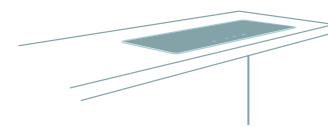
HOW TO CHOOSE IT

Choose the Elica induction hob that integrates perfectly with your kitchen, providing aesthetic enhancement while allowing you to cook in optimal conditions, saving time and ensuring excellent cooking quality.

Choose the hob in relation to the size of your work surface, ranging from a minimum of 60 cm to a maximum of 90 cm.

FOR THOSE WHO LOVE COOKING, ELICA'S LIEN HOBS REPRESENT THE IDEAL SOLUTION

Thanks to the bridge zone, pans of any size can be freely positioned within the induction hob's two large rectangular cooking zones.



5



HOW TO INSTALL IT

BEFORE INSTALLING YOUR HOB, PLEASE REMEMBER THE FOLLOWING SUGGESTIONS:

- Follow all the steps indicated in the instruction manual
- Verify that all size requirements are respected in order to obtain optimal performance without harming other kitchen cupboards;
- Check that the position of the electrical socket is close to the hob;
- Should any difficulties arise, request the intervention of a reliable specialist technician.



Lien induction hobs offer different installation modes:

- 6 STANDARD INSTALLATION**
Standard installation of the frameless induction hob involves direct placement of the glass lip on the work surface.
- 7 SEMI FLUSH INSTALLATION**
Semi flush installation involves placement of the induction hob with a frame only 1 mm thick on the work surface.
- 8 FLUSH INSTALLATION**
With flush installation, the induction hob is inserted with gap of 1 mm, and completely flush with the work surface.



TAKING CARE OF IT

ELICA'S LIEN INDUCTION HOBS ARE DESIGNED AND MANUFACTURED TO ENSURE OPTIMUM LONG-LIFE OPERATION.

Thanks to the perfectly smooth surface and the special glass-ceramic material, cleaning is extremely quick and easy: just use a soft cloth and a mild detergent.

TÉCHNE

THE TÉCHNE HOODS ARE AN EXAMPLE OF PURE MODERN TECHNOLOGY, WITH VERY HIGH PERFORMANCE, FOR ANYONE WHO LOVES COOKING. ASPIRATION, LIGHTING AND INTERACTION SYSTEMS INTELLIGENTLY MEET THE NEEDS OF EVERYDAY LIVING, IN A SIMPLE YET HIGHLY EFFICIENT WAY.



#INNOVATION #ORIGINALITY #WONDER #COMFORTING

LOW NOISE LEVEL AND HIGH ASPIRATION

THE ASPIRATION NOISE IS ALMOST INAUDIBLE. WELCOME TO A KITCHEN WHERE YOU CAN RELAX. WELCOME FRIENDS AND FAMILY. WITH ELICA YOU ARE AT THE "ATTRACTIVE" CENTRE OF THE HOME

THE VERY FAST AIR FLOW WITH THE VERY LOW NOISE LEVEL, WHERE ELICA SETS THE BENCHMARK.



TOP PERFORMANCE

VERY HIGH PERFORMANCE HOODS WITH AN ASPIRATION CAPACITY OF $> 700 \text{ M}^3/\text{H}$ AND A NOISE LEVEL BETWEEN 55 AND 60 DB(A) AT MAXIMUM SPEED. CONTROL TESTS SHOW THESE FAST AND SILENT HOODS ARE MARKET LEADERS.



TÉCHNE

THE SENSORS

THE TECHNOLOGY OF TÉCHNE LINE HOODS AUTOMATICALLY 'DISSOLVES' COOKING FUMES, THANKS TO ITS SENSOR. IN FACT, BY CHOOSING THE SENSOR MODE, THE HOOD RECOGNIZES THE QUANTITY AND QUALITY OF VAPOURS AND KITCHEN ODOURS AND AUTOMATICALLY ADJUSTS ASPIRATION, THUS GUARANTEEING OPTIMAL PERFORMANCE.



SENSOR TECHNOLOGY

THE TÉCHNE LINE HOODS CAN 'RECOGNIZE' THE QUALITY AND QUANTITY OF VAPOURS AND ODOURS THROUGH THEIR SENSORS. ON RECEIVING SUCH INFORMATION, THEY RESPOND BY SELF-ADJUSTING.

THE FILTER

ELICA DEVELOPS USER-FRIENDLY TECHNOLOGY THAT ALLOWS PEOPLE TO LIVE BETTER IN THEIR OWN HOME. INNOVATION AND RESEARCH INTO EVERY DETAIL OF THE HOOD IS AIMED AT MAKING KITCHEN ACTIVITIES EASIER. IN THIS CASE, THIS ADVANCED FILTERING TECHNOLOGY COMBINES MAXIMUM EFFICIENCY WITH VERY SIMPLE MAINTENANCE.

REVOLUTION FILTER

THIS NEW TECHNOLOGY BY ELICA ALLOWS IT TO REACH EXCELLENCE ON ODOUR FILTERING. REVOLUTION FILTER GUARANTEES FILTERING LEVELS GREATER THAN 82% IN COMPARISON TO A MARKET AVERAGE THAT IS AROUND 60%. THESE FILTERS CAN BE REGENERATED AND LAST UP TO THREE YEARS, WITH VERY SIMPLE MAINTENANCE. AS ALWAYS, ELICA PRODUCTS BLEND THE BEST TECHNOLOGICAL PERFORMANCE WITH GREAT USABILITY.

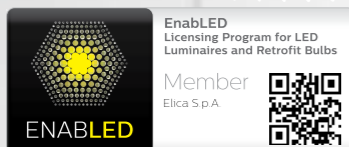


LIGHTING

IN LINE WITH ELICA'S PHILOSOPHY, THAT AIMS AT GUARANTEEING HARMONY WITHIN THE HOME, LIGHTING IS GREATLY TAKEN INTO CONSIDERATION. TÉCHNE LINE HOODS CAN OFFER VARIOUS WAYS OF LIGHTING THE KITCHEN. THE NEEDS AND PREFERENCES, OR EVEN HABITS, OF THOSE WHO LIVE IN THE HOME, ARE MET BY THIS NEW FEATURE.









TUNE-WHITE

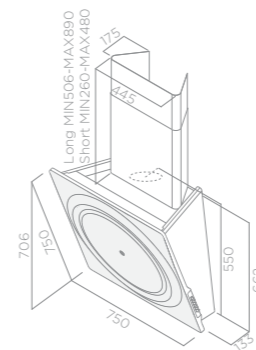
ELICA IS ALSO THE LEADER IN THE CUSTOMISATION OF KITCHEN LIGHTING. LED KITCHEN LIGHTING COMES IN DIFFERENT "TEMPERATURES" FROM WARM TO COLD WHITE. ELICA'S UNIQUE "TUNE WHITE" FUNCTION ALLOWS YOU TO MATCH THE HOOD LIGHT WITH OTHER LIGHTING IN THE KITCHEN, BY ADJUSTING ITS "TEMPERATURE" FROM WARM WHITE LIGHT (2700 K) TO COLD WHITE LIGHT (6000 K).





LOOP
DESIGN FABRIZIO CRISÀ

-  **SENSOR TECHNOLOGY** ≥ 40 cm
-  **TOP PERFORMANCE** ≥ 60 cm
-  **DOUBLE BREATH**
-  **REVOLUTION FILTER**
-  **TUNE-WHITE**
-  **BACK ASPIRATION**
-  **EASY INSTALLATION**
-  **A+**
ENERGY CLASS



Size	75 cm
Finish	Black Cristalplant + black glass, white Cristalplant + black glass
Mode	Re-circulating or duct out

Controls	3 speeds + Booster Touch control (sensor)
Lighting	Strip LED 7w 2700-6000K
IEC airflow m³/h	115-496 (757)
Noise level db(A)	31-54 (63)
Total absorption W	317
Duct size	150 mm
Grease filter	Aluminium
Revolution filter	Included

OPTIONAL ACCESSORIES

Long chimney kit (h506-890)	KIT0010439
Short chimney kit (h260-480)	KIT0010700
White remote control kit	KIT0121468
Black remote control kit	KIT0121469

Kit remote control optional. See page 219 for available designs.

MODELS

LOOP Black	PRF0120964
LOOP White	PRF0120963

Cristalplant®, a hypoallergenic non-toxic material, resistant and agreeable to the touch. Thanks to the abrasive pad, any kind of surface damage (e.g. scratches, stubborn stains, cigarette burns) can be easily removed while maintaining its original appearance over time.



CONCETTO SPAZIALE

DESIGN FABRIZIO CRISÀ



SENSOR TECHNOLOGY



≥ 40 cm



TOP PERFORMANCE



≥ 60 cm



DOUBLE BREATH



REVOLUTION FILTER



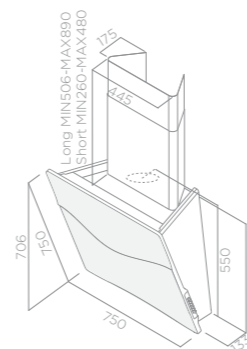
TUNE-WHITE



BACK ASPIRATION



EASY INSTALLATION



Size	75 cm
Finish	White Cristalplant, black Cristalplant
Mode	Re-circulating or duct out

Controls	3 speeds + Boost Touch control (sensor)
Lighting	Strip LED 7w 2700-6000K
IEC airflow m ³ /h	115-515 (779)
Noise level db(A)	30-54 (63)
Total absorption W	317
Duct size	150 mm
Grease filter	Aluminium
Revolution Filter	Included

OPTIONAL ACCESSORIES	
Long chimney kit (h506-890)	KIT0010439
Short chimney kit (h260-480)	KIT0010700
White remote control kit	KIT0121468
Black remote control kit	KIT0121469

Kit remote control optional. See page 219 for available designs.

MODELS	
CONCETTO SPAZIALE White	PRF0117448
CONCETTO SPAZIALE Black	PRF0120957

Cristalplant® is a hypoallergenic, non-toxic material that is scratch resistant and tactile. Its appearance is easily maintained with the special abrasive cloth that is supplied with it..



THE KITCHEN FACES THE OTHER LIVING SPACES IN THE HOME AND THE HOOD BECOMES A MAIN CHARACTER

Bio wall mounted, in wood and pure white. Bio a pleasing blend of high-level technological performance and classic lines in contemporary design. Bio has a support and USB socket to charge a tablet. Highly versatile thanks to the matching optional wood shelves which allow you to configure as needed. The kitchen faces the other living spaces in the home and the hood becomes a main character.



≥ 50 cm



≥ 65 cm



SENSOR TECHNOLOGY



TOP PERFORMANCE



REVOLUTION FILTER



TUNE-WHITE

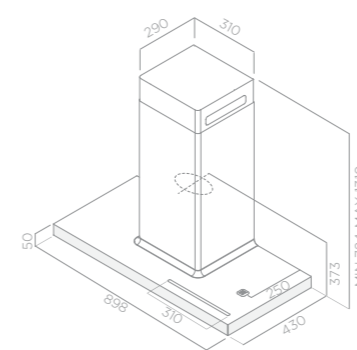


EASY INSTALLATION



A+ ENERGY CLASS

BIO
DESIGN FABRIZIO CRISÀ



Size	90 cm
Finish	White + oak wood
Mode	Re-circulating or duct out

Controls	3 speeds + Boost Touch control (sensor)
Lighting	Strip LED 7w 2700-6000K
IEC airflow m³/h	125-496 (757)
Noise level db(A)	32-60 (69)
Total absorption W	317
Duct size	150 mm
Grease filter	Aluminium
Revolution filter	Included

OPTIONAL ACCESSORIES	
Shelf kit 60 cm Bio Wall	KIT0120946
White remote control kit	KIT0121468
Black remote control kit	KIT0121469

Kit remote control optional. See page 219 for available designs.

MODELS	
BIO	PRF0120966



≥ 50 cm



≥ 65 cm



SENSOR TECHNOLOGY



TOP PERFORMANCE



REVOLUTION FILTER



TUNE-WHITE

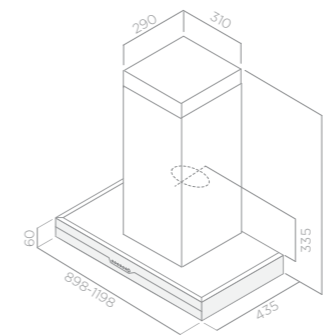


EASY INSTALLATION



METEORITE

DESIGN FABRIZIO CRISÀ



Size	90 - 120 cm
Finish	Stainless steel + black glass
Mode	Re-circulating or duct out

Controls	3 speeds + Boost Touch control (sensor)
Lighting	Strip LED 7w 2700-6000K
IEC airflow m³/h	135-515 (757)
Noise level db(A)	32-59 (68)
Total absorption W	317
Duct size	150 mm
Grease filter	Aluminium
Revolution filter	Included

OPTIONAL ACCESSORIES

White remote control kit	KIT0121468
Black remote control kit	KIT0121469

Kit remote control optional. See page 219 for available designs.

MODELS

METEORITE 90	PRF0120968
METEORITE 120	PRF0120970



RE-CIRCULATING VERSION












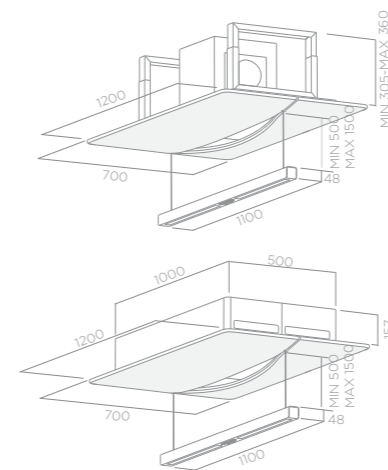
DUCT-OUT VERSION



EMPTY SKY

DESIGN FABRIZIO CRISÀ

-  **A** Duct-out version
-  **F** Re-circulating version
-  **SENSOR TECHNOLOGY**
-  **DIM-LIGHT**
-  **A** **TOP PERFORMANCE**
-  **F** **HIGH PERFORMANCE**
-  **A+** **ENERGY CLASS**
-  **REVOLUTION FILTER**
-  **EASY INSTALLATION**



Size	120x70 cm
Finish	White Cristalplant
Mode	Duct out version or Re-circulating version

	A	F
Controls	3 speeds + Boost touch control (sensor)	
Remote control	Included	Included
Lighting	Strip LED 7w 4000K	Strip LED 7w 4000K
IEC airflow m ³ /h	125-537 (823)	135-272 (559)
Noise level db(A)	31-58 (68)	39-60 (76)
Total absorption W	317	267
Duct size	150 mm	N/A
Grease filter	Aluminium	Aluminium
Revolution filter		Included

MODELS

EMPTY SKY Duct out	PRF0120972
EMPTY SKY Re-circulating *	PRF0120973

* Model not subject to compulsory energy certification.

Cristalplant® is a hypoallergenic, non-toxic material that is scratch resistant and tactile. Its appearance is easily maintained with the special abrasive cloth that is supplied with it.

The minimum installation height is the minimum height of the lamp bar above the cook-top. For optimum performance we recommend a maximum distance for the hood of 2.30m from the floor.

A RED CARPET
OBJECT THAT ALWAYS
CREATES THE PERFECT
ATMOSPHERE.

Absolute star of the space, this chandelier hood creates a magical atmosphere, with 1152 glass prisms that play with light. A refined and balanced product thanks to the combination of materials and LED lights. During the day, it reflects natural light, at night it lights up with great effect! Interstellar is a hood made for the red carpet.





≥ 50 cm



≥ 65 cm



SENSOR TECHNOLOGY



REVOLUTION FILTER



AMBIENT LIGHT



DIM-LIGHT

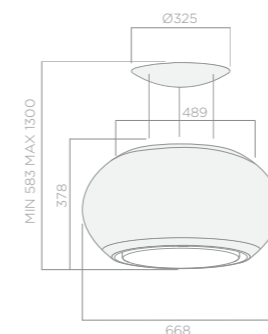


EASY INSTALLATION



INTERSTELLAR

DESIGN FABRIZIO CRISÀ



Size	Ø 65 cm
Finish	Glass, black glass
Mode	Re-circulating

Controls	3 speeds + Boost touch control (sensor)
Remote control	Included
Lighting	LED 9w + Strip LED 2x40w 3500K
IEC airflow m³/h	165-336 (384)
Noise level db(A)	36-53 (56)
Total absorption W	134
Grease filter	Polyurethane
Revolution filter	Included

OPTIONAL ACCESSORIES

Extension cable kit (5m IX)	KIT0112772
-----------------------------	------------

MODELS

INTERSTELLAR Clear	PRF0118893
INTERSTELLAR Black	PRF0120253



LIGHT IS DÉCOR, GIVEN OFF BY
THE WHITE GLASS HOOD,
SHINING LIKE A BEAUTIFUL LAMP.

The kitchen is the centre of life and friendship in the home.
SUMMILUX's soft curves cover a technological heart.

The dimmable, all-enveloping light plays on the polished steel
or copper finishes.





SUMMILUX
DESIGN FABRIZIO CRISÀ



≥ 50 cm



≥ 65 cm



SENSOR TECHNOLOGY



REVOLUTION FILTER



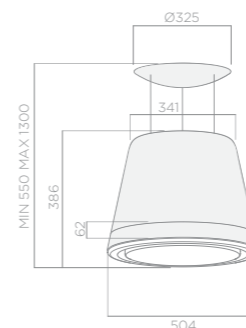
AMBIENT LIGHT



DIM-LIGHT



EASY INSTALLATION



Size	Ø 50 cm
Finish	Glass+ chromed metal, glass+ polished copper effect metal
Mode	Re-circulating

Controls	3 speeds + Boost touch control (sensor)
Remote control	Included
Lighting	Strip LED 9w + LED 30w + LED 40w 3500K
IEC airflow m³/h	165-336 (384)
Noise level db(A)	36-53 (56)
Total absorption W	124
Grease filter	Polyurethane
Revolution filter	Included

OPTIONAL ACCESSORIES

Extension cable kit (5m SS)	KIT0112772
-----------------------------	------------

MODELS

SUMMILUX SS	PRF0116538
SUMMILUX Copper	PRF0120792

Installation options
DIVA (etc) can be ceiling or wall mounted and comes complete with cables and brackets for either.
When suspended from the ceiling we recommend a minimum distance from the ceiling of 810mm.
In wall or ceiling installation the minimum clearance form the ceiling is 510mm.







STRONG FINISHES WITH
CHARACTER, GENTLE LIGHT AND A
TECHNOLOGICAL SOUL.



SHINING
RUST
DESIGN FABRIZIO CRISÀ

Models with great character and dimmable, gentle light. Innovative metallic finishes with simple and natural lines sheath a technological heart. Like all models in the Techne line SHINING can monitor air quality and adjust itself accordingly.



SHINING PELTROX
Peltrox ceiling cover, chromed bracket



SHINING RUST
Rust ceiling cover, chromed bracket



SHINING COPPER
Copper ceiling cover, black bracket



SHINING CAST IRON
Chromed ceiling cover, chromed bracket



SHINING
DESIGN FABRIZIO CRISÀ



≥ 50 cm



≥ 65 cm



SENSOR TECHNOLOGY



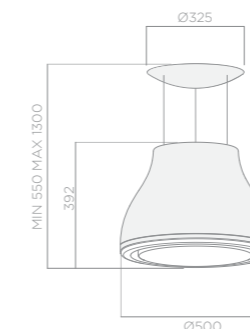
REVOLUTION FILTER



EASY INSTALLATION



ENERGY CLASS A



Size	Ø 50 cm
Finish	Peltrox effect metal, rust, copper, cast iron
Mode	Re-circulating

Controls	3 speeds + Boost touch control (sensor)
Remote control	Included
Lighting	LED 9w 3500K
IEC airflow m³/h	165-336 (384)
Noise level db(A)	36-53 (56)
Total absorption W	54
Grease filter	Polyurethane
Revolution filter	Included

OPTIONAL ACCESSORIES	
Extension cable kit (5m SS)	KIT0112772
MODELS	
SHINING Peltrox	PRF0120497
SHINING Rust	PRF0120528
SHINING Copper	PRF0120529
SHINING Cast iron	PRF0120590

Installation options
DIVA (etc) can be ceiling or wall mounted and comes complete with cables and brackets for either.
When suspended from the ceiling we recommend a minimum distance from the ceiling of 810mm.
In wall or ceiling installation the minimum clearance from the ceiling is 510mm.





BIO ISLAND

DESIGN FABRIZIO CRISÀ



≥ 50 cm



≥ 65 cm



SENSOR TECHNOLOGY



TOP PERFORMANCE



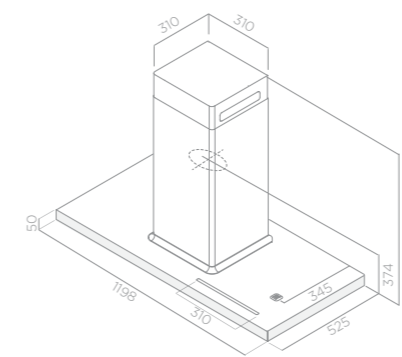
REVOLUTION FILTER



TUNE-WHITE



A+ ENERGY CLASS



Size	120x53 cm
Finish	White + oak wood
Mode	Re-circulating or duct out

Controls	3 speeds + Boost Touch control (sensor)
Lighting	Strip LED 2x7w 2700-6000K
IEC airflow m ³ /h	125-496 (757)
Noise level db(A)	32-60 (69)
Total absorption W	324
Duct size	150 mm
Grease filter	Aluminium
Revolution filter	Included

OPTIONAL ACCESSORIES	
Shelf kit 60 cm + 2 cables Bio Island	KIT0120947
Shelf cable kit Bio Island	KIT0120948
White remote control kit	KIT0121468
Black remote control kit	KIT0121469

Kit remote control optional. See page 219 for available designs.

MODELS	
BIO ISLAND	PRF0120967



METEORITE ISLAND

DESIGN FABRIZIO CRISÀ



≥ 50 cm



≥ 65 cm



SENSOR TECHNOLOGY



TOP PERFORMANCE



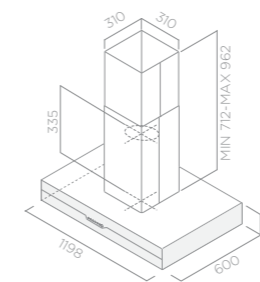
REVOLUTION FILTER



TUNE-WHITE



ENERGY CLASS A



Size	120x60 cm
Finish	Stainless steel + black glass
Mode	Re-circulating or duct out

Controls	3 speeds + Boost Touch control (sensor)
Lighting	Strip LED 2x7w 2700-6000K
IEC airflow m ³ /h	135-515 (757)
Noise level db(A)	32-59 (68)
Total absorption W	324
Duct size	150 mm
Grease filter	Aluminium
Revolution filter	Included

OPTIONAL ACCESSORIES

White remote control kit	KIT0121468
Black remote control kit	KIT0121469

Kit remote control optional. See page 219 for available designs.

MODELS

METEORITE ISLAND	PRF0120971
------------------	------------



SLEEK HT
ELICA DESIGN CENTRE



≥ 50 cm



≥ 65 cm



SENSOR TECHNOLOGY



HIGH PERFORMANCE



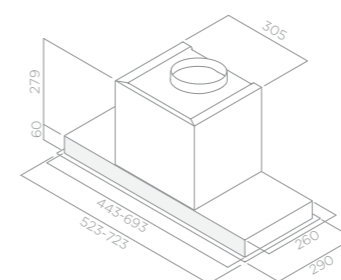
REVOLUTION FILTER



TUNE-WHITE



EASY INSTALLATION



Size	60 - 80 cm
Finish	Stainless steel + white glass
Mode	Re-circulating or duct out

Controls	3 speeds + Boost Touch control (sensor)
Lighting	Strip LED 7w 2700-6000K
IEC airflow m³/h	240-464 (581)
Noise level db(A)	47-62 (67)
Total absorption W	257
Duct size	150 mm
Grease filter	Aluminium
Revolution filter	Included

OPTIONAL ACCESSORIES

White remote control kit	KIT0121468
Black remote control kit	KIT0121469

Kit remote control optional. See page 219 for available designs.

MODELS

SLEEK HT 60	PRF0121263
SLEEK HT 80	PRF0121264

ICONIC

BEAUTY AND GREAT FUNCTIONALITY WITH THE BEST DESIGN. THE ICONIC HOODS, BORN OUT OF OUR PASSION FOR COOKING AND THE KITCHEN ENVIRONMENT.





THE RIGHT HOOD IN EVERY SITUATION.

Serendipity moves you with the characteristic design and attention to detail of Elica's Iconic hoods in steel and glass. The use of curved glass directs the air flow towards the front aspiration panel giving this compact product refinement and elegance. The LED strip gives excellent lighting of the hob and the latest touch controls gives illuminated feedback of the speed selected. Available in both wall mounted and island versions.



ICONIC
WALL MOUNTED



SERENDIPITY

DESIGN FABRIZIO CRISÀ



≥ 50 cm



≥ 65 cm



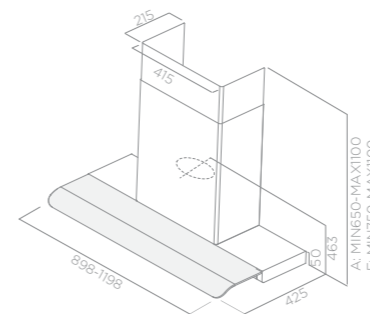
HIGH PERFORMANCE



LONG LIFE FILTER



ENERGY CLASS A



Size	90 - 120 cm
Finish	Stainless steel + glass
Mode	Re-circulating or duct out

Controls	3 speeds + Boost Touch control
Lighting	Strip LED 7w 4000K
IEC airflow m ³ /h	256-515 (625)
Noise level db(A)	45-62 (67)
Total absorption W	207
Duct size	150 mm
Grease filter	Aluminium

OPTIONAL ACCESSORIES	
Long life filter	KIT0120950

MODELS	
SERENDIPITY 90	PRF0120231
SERENDIPITY 120	PRF0120282



DOLCE
COPPER
DESIGN FABRIZIO CRISÀ

ICONIC
WALL MOUNTED

A CLASSIC ATTITUDE
TO MODERNITY.

Dolce's ability to harmonize with the contemporary living space is enhanced with the new metallic finishes. The technopolymer allows for flowing lines that make shapes softer. A thin polished stainless steel line characterises the elegant perimeter aspiration system, which increases air speed and efficiency.





WHITE



UMBER



IVORY



COPPER



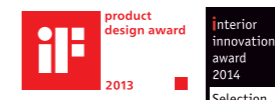
PELTROX



CAST IRON



DOLCE
DESIGN FABRIZIO CRISÀ



≥ 60 cm



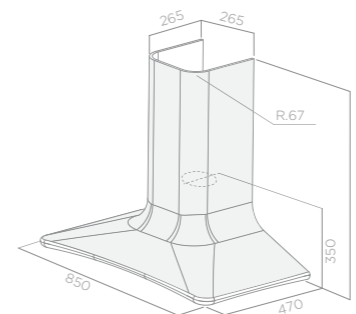
≥ 70 cm



HIGH PERFORMANCE



LONG LIFE FILTER



Size	85 cm
Finish	Matt white, matt umber, ivory, effect matt copper, peltrox, cast iron
Mode	Re-circulating or duct out

Controls	3 speeds + Boost Touch control
Lighting	Strip LED 7w 4000K
IEC airflow m ³ /h	256-480 (625)
Noise level db(A)	50-65 (70)
Total absorption W	262
Duct size	150 mm
Grease filter	Aluminium
Long life filter	Included

OPTIONAL ACCESSORIES

Revolution filter	KIT0120956
Ext. chimney kit white (h 0-650)	KIT0049580
Ext. chimney kit umber (h 0-650)	KIT0049581
Ext. chimney kit ivory (h 0-650)	KIT0049583
Ext. chimney kit cast iron (h 0-650)	KIT0121142
Ext. chimney kit peltrox (h 0-650)	KIT0121146
Ext. chimney kit copper (h 0-650)	KIT0121147

MODELS

DOLCE White	PRF0043030
DOLCE Umber	PRF0043031
DOLCE Ivory	PRF0043033
DOLCE Copper	PRF0120672
DOLCE Peltrox	PRF0120689
DOLCE Cast Iron	PRF0120702



IO AIR WHITE



IO AIR BEAUTY



IO AIR POP



IO AIR BLACK



IO AIR VINTAGE



IO AIR NATURE

ICONIC
WALL MOUNTED

IO AIR
ELICA DESIGN CENTER



≥ 45 cm



≥ 45 cm



HIGH PERFORMANCE



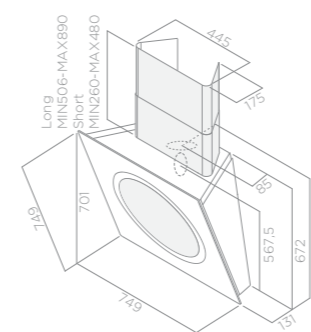
BACK ASPIRATION



EASY INSTALLATION



ENERGY CLASS A



Size	75 cm
Finish	White glass, black glass, coloured glass
Version	Re-circulating or duct out

Controls	3s + B Touch control
Lighting	Strip LED 7w 4000K
IEC airflow m ³ /h	240 - 515 (669)
Noise level db(A)	42 - 60 (66)
Total absorption W	247
Duct size	150 mm
Grease filter	Polyurethane
Standard charcoal filter	Included

OPTIONAL ACCESSORIES	
Long chimney kit (h506-890)	KIT0010439
Short chimney kit (h260-480)	KIT0010700

MODEL	
IO AIR White	PRF0094734
IO AIR Black	PRF0094744
IO AIR POP	PRF0098373
IO AIR BEAUTY	PRF0100137
IO AIR VINTAGE	PRF0100138
IO AIR NATURE	PRF0100231

Upon activation, the center ring electronically moves inwards, allowing perimeter suction.





PICTURE WHITE



PICTURE NATURAL WOOD



ICONIC
WALL MOUNTED

PICTURE
DESIGN FABRIZIO CRISÀ



≥ 50 cm



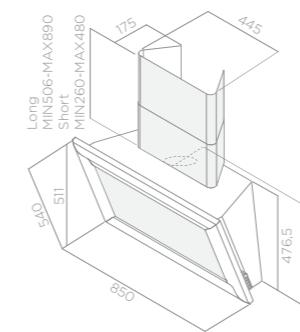
≥ 65 cm



DOUBLE BREATH



EASY INSTALLATION



Size	85 cm
Finish	Mirror + frame (matt white, whitened natural wood)
Version	Re-circulating or duct out

Controls	3s Soft light push button
Lighting	Strip LED 7w 4000K
IEC airflow m³/h	240-647
Noise level db(A)	43-66
Total absorption W	247
Duct size	150 mm
Grease filter	Polyurethane
Standard charcoal filter	Included

OPTIONAL ACCESSORIES	
Long chimney kit (h506-890)	KIT0010439
Short chimney kit (h260-480)	KIT0010700

MODEL	
PICTURE White	PRF0094413
PICTURE Natural Wood	PRF0098371



NUANCE DRYWALL
Example of customization



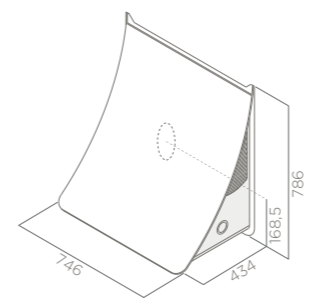
ICONIC
WALL MOUNTED







NUANCE PAINTABLE



NUANCE
DESIGN FABRIZIO CRISÀ



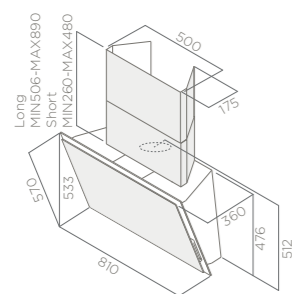
-  ≥ 50 cm
-  ≥ 65 cm
-  BACK ASPIRATION
-  ENERGY CLASS A

Size	75 cm
Finish	Stainless steel to be panelled with drywall (not included), paintable stainless steel
Version	Re-circulating or duct out

Controls	3s + b electronic rotative
Lighting	Strip LED 7w 4000K
IEC airflow m³/h	240 - 448 (581)
Noise level db(A)	49 - 62 (65)
Total absorption W	227
Duct size	150 mm
Grease filter	Polyurethane
Standard charcoal filter	Included

MODEL	
NUANCE Drywall	PRF0096484
NUANCE Paintable	PRF0098374

Unique model that can be customised according to the customer's needs. Two versions available: with plasterboard panels (6mm thick) or paintable steel. Drywall not included in the packaging. The images shown are only examples of demonstration designs.



FILM
DESIGN FABRIZIO CRISA

Size	80 cm
Finish	Black glass, white glass
Version	Re-circulating or duct out

Controls	3s + B InfraRed touch
Lighting	Strip LED 7w 4000K
IEC airflow m³/h	240 - 515 (669)
Noise level db(A)	43 - 62 (67)
Total absorption W	247
Duct size	150 mm
Grease filter	Polyurethane
Standard charcoal filter	Included

OPTIONAL ACCESSORIES	
Long chimney kit (h506-890)	KIT0010703
Short chimney kit (h260-480)	KIT0010704

MODEL	
FILM Black	PRF0094251
FILM White	PRF0097706



≥ 50 cm



≥ 65 cm



HIGH PERFORMANCE



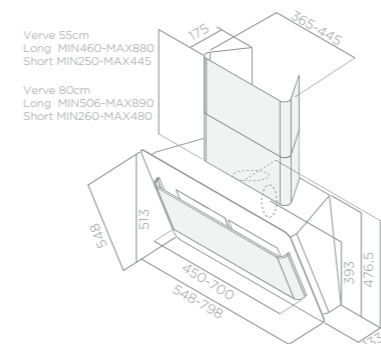
DOUBLE BREATH



EASY INSTALLATION



ENERGY CLASS A



VERVE
DESIGN FABRIZIO CRISA

Size	55 - 80 cm
Finish	Glass (black, white) + shiny stainless steel, brushed stainless steel + shiny stainless steel
Version	Re-circulating or duct out

Controls	3s + B Touch control
Lighting	Halogen 2x20w
IEC airflow m³/h	288 - 603 (691)
Noise level db(A)	50 - 68 (71)
Total absorption W	300
Duct size	150 mm
Grease filter	Aluminium
Standard charcoal filter	Included

OPTIONAL ACCESSORIES	
Long chimney kit (h460-880)	KIT0010519 (55 cm)
Short chimney kit (h250-445)	KIT0010701 (55 cm)
Long chimney kit (h506-890)	KIT0010439 (80 cm)
Short chimney kit (h260-480)	KIT0010700 (80 cm)

MODEL	
VERVE Black 55	PRF0034211A
VERVE White 55	PRF0038445A
VERVE SS 55	PRF0034012A
VERVE Black 80	PRF0032793A
VERVE White 80	PRF0038443A
VERVE SS 80	PRF0033852A



≥ 45 cm



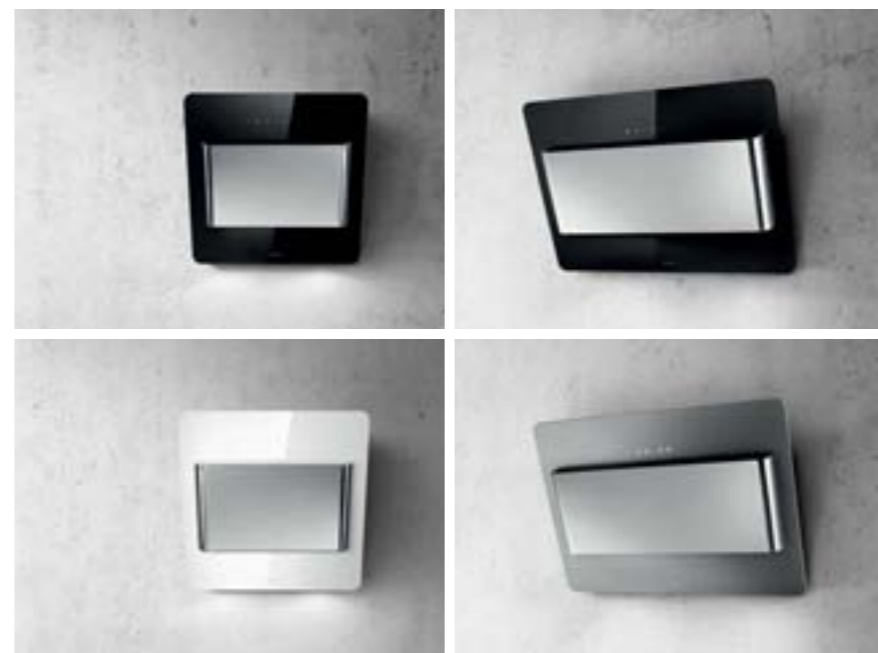
≥ 65 cm

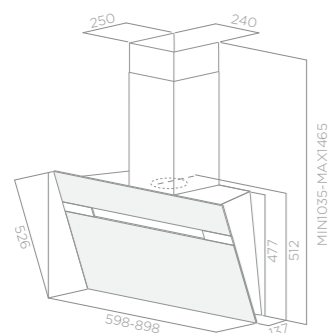


BACK ASPIRATION



EASY INSTALLATION





ASCENT ASCENT HE

ELICA DESIGN CENTER

Size	60 - 90 cm	
Finish	Black glass, white glass, stainless steel	
Version	Re-circulating or duct out	

	ASCENT	ASCENT HE
Controls	3s+b Touch control	
Lighting	Halogen 2x20w	LED 2 x 2.5w 4000k
IEC airflow m ³ /h	304 - 603 (757)	368-647 (823)
Noise level db(A)	50 - 65 (69)	53-66 (72)
Total absorption W	300	305
Duct size	150	150
Grease filter	Aluminium	



≥ 45 cm



≥ 50 cm



DOUBLE BREATH



BACK ASPIRATION



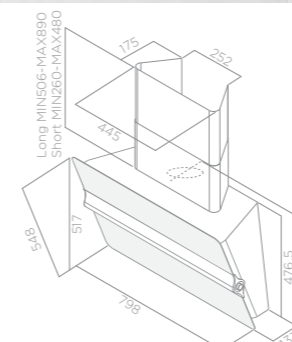
EASY INSTALLATION

OPTIONAL ACCESSORIES

Standard charcoal filter CFC0038668

The chimney is included: black for the black glass version and stainless steel for the white and steel versions.

MODEL	
ASCENT BL/A/60	PRF0101142A
ASCENT WH/A/60	PRF0101144A
ASCENT SS/A/60	PRF0110514A
ASCENT BL/A/90	PRF0101143A
ASCENT WH/A/90	PRF0101145A
ASCENT SS/A/90	PRF0110515A
ASCENT-HE-60-BLK	PRF0115117
ASCENT-HE-60-SS	PRF0123720
ASCENT-HE-60-WH	PRF0115152
ASCENT-HE-90-BLK	PRF0115130
ASCENT-HE-90-SS	PRF0123733
ASCENT-HE-90-WH	PRF0115109



BARRE

DESIGN FABRIZIO CRISA

Size	80 cm
Finish	Black glass, white glass, stainless steel
Version	Re-circulating or duct out

Controls	3s + b electronic rotative
Lighting	Halogen 2x20w
IEC airflow m ³ /h	288 - 581 (669)
Noise level db(A)	50 - 67 (71)
Total absorption W	300
Duct size	150 mm
Grease filter	Aluminium
Standard charcoal filter	Included

OPTIONAL ACCESSORIES

Long chimney kit (h506-890) KIT0010439

Short chimney kit (h260-480) KIT0010700

MODEL

BARRE Black PRF0038700A

BARRE White PRF0038701A

BARRE SS PRF0038702A



≥ 40 cm



≥ 50 cm



EASY INSTALLATION

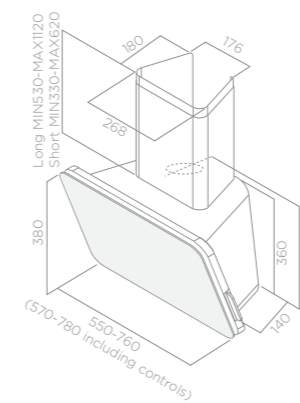


ICONIC
WALL MOUNTED



FANTASIA

DESIGN FABRIZIO CRISÀ



≥ 45 cm



≥ 55 cm



BACK ASPIRATION



HIGH PERFORMANCE

Size	55 - 80 cm
Finish	Black glass, white glass
Version	Duct out or recycling

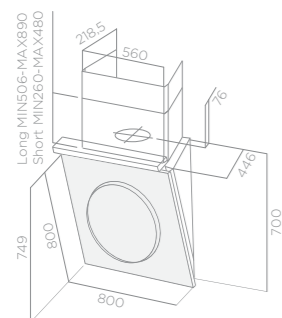
Controls	3S + Boost Infrared Touch Control
Lighting	LED 4 x 2.5W
IEC airflow m³/h	256-480 (625)
Noise level db(A)	59-72 (74)
Total absorption W	260
Duct size	150 mm
Grease filter	Aluminium
Standard charcoal filter	Included

OPTIONAL ACCESSORIES

Long chimney kit (h530-1120)	KIT0038310
Short chimney kit (h330-620)	KIT0038311

MODELS

FANTASIA-55-BL	PRF0051467A
FANTASIA-55-WH	PRF0051460A
FANTASIA-80-BLK	PRF0051454A
FANTASIA-80-WH	PRF0051456A



IO
ELICA DESIGN CENTER



Size	80 cm
Finish	Black glass + stainless steel, white glass + stainless steel
Version	Re-circulating or duct out

Controls	3s + B Touch control
Lighting	Halogen 4x20w
IEC airflow m³/h	256 - 515 (691)
Noise level db(A)	42 - 59 (66)
Total absorption W	330
Duct size	150 mm
Grease filter	Aluminium
Long life filter	Included



≥ 30 cm

OPTIONAL ACCESSORIES	
Long chimney kit (h506-890)	KIT01054
Short chimney kit included (h260-480)	KIT01796



≥ 35 cm

MODEL	
IO Black	61612979/1
IO White	61612978/1



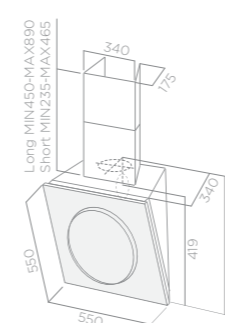
HIGH PERFORMANCE



LONG LIFE FILTER



EASY INSTALLATION



MINI IO
ELICA DESIGN CENTER

Size	55 cm
Finish	Black glass, white glass
Version	Re-circulating or duct out



≥ 40 cm

Controls	3 speed soft touch push button
Lighting	LED 2x2,5w 4000K
IEC airflow m³/h	240-603
Noise level db(A)	48-63
Total absorption W	225



≥ 65 cm

Duct size	150 mm
Grease filter	Aluminium
Long life filter	Included



HIGH PERFORMANCE



OPTIONAL ACCESSORIES	
Long chimney kit (h450-890)	KIT01513
Short chimney kit (h235-465)	KIT01797

MODEL

MINI IO Black	61614583A
MINI IO White	61614584A



BACK ASPIRATION

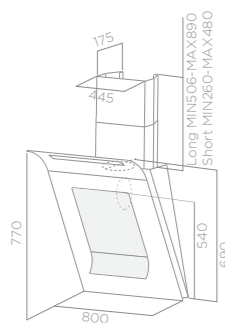


EASY INSTALLATION



ENERGY CLASS





LEAF
DESIGN FABRIZIO CRISA

Size	80 cm
Finish	Black glass, white glass
Version	Re-circulating or duct out

Controls	3s + B Touch control
Lighting	Neon 2x14w
IEC airflow m³/h	400 - 626 (757)
Noise level db(A)	56 - 70 (73)
Total absorption W	328
Duct size	150 mm
Grease filter	Aluminium
Long life filter	Included

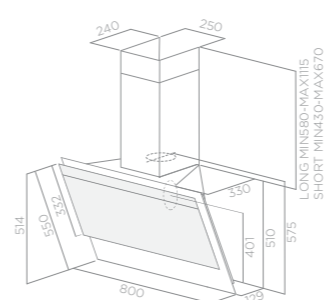


OPTIONAL ACCESSORIES

Long chimney kit (h506-890)	KIT0010439
Short chimney kit (h260-480)	KIT0010700

MODEL

LEAF Black	PRF0010417B
LEAF White	PRF0010418B



EVITA
ELICA DESIGN CENTER

Size	80 cm
Finish	Black glass, white glass
Version	Duct out or recirculating

Controls	3S Soft Touch Push Button
Lighting	Halogen 2x20W
IEC airflow (m³/h)	256-625
Noise level db(A)	44-65
Total absorption W	290
Duct size	150 mm
Grease filter	Aluminium
Long life filter	Included



OPTIONAL ACCESSORIES

Long chimney kit (h580-1115)	KIT0019749
Short chimney kit (h430-670)	KIT0024821

MODEL

EVITA-BLK	PRF0021133A
EVITA-WH	PRF0038751A





VERDI WHITE



ICONIC
WALL MOUNTED



VERDI STAINLESS STEEL

VERDI
DESIGN FABRIZIO CRISÀ



≥ 30 cm



≥ 35 cm



HIGH PERFORMANCE



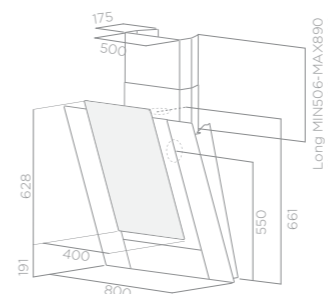
LONG LIFE FILTER



BACK ASPIRATION



EASY INSTALLATION



Size	80 cm
Finish	Glass (black, white) + shiny stainless steel, brushed stainless steel + shiny stainless steel
Version	Re-circulating or duct out

Controls	Chef Control
Lighting	LED 2x2,5w 4000K
IEC airflow m ³ /h	195 - 581 (801)
Noise level db(A)	42 - 64 (73)
Total absorption W	305
Duct size	150 mm
Grease filter	Aluminium
Long life filter	Included

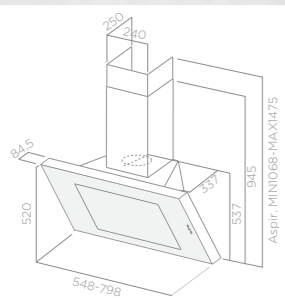
OPTIONAL ACCESSORIES

Long chimney kit (h506-890)	KIT0010703
Short chimney kit (h260-480)	KIT0010704

MODEL

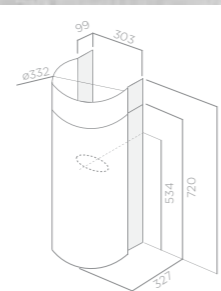
VERDI Black	PRF0010404A
VERDI White	PRF0010405A
VERDI SS	PRF0010406A

With Chef Control, the hood no longer responds to controls, but to necessity. All you have to do is select the cooking type on the display and Chef Control translates necessity into action, automatically setting the most appropriate airflow power.



ELEKTRA

ELICA DESIGN CENTER



STONE

ELICA DESIGN CENTER



Size	55 - 80 cm
Finish	Stainless steel
Version	Re-circulating or duct out

Controls	3S+B Touch control with display
Lighting	Halogen 2x20w
IEC airflow m³/h	256 - 515 (647)
Noise level db(A)	45 - 63 (68)
Total absorption W	290
Duct size	150 mm
Grease filter	Aluminium
Long life filter	Included
Chimney kit (h560-445 SS)	Included

MODEL	
ELEKTRA 55	PRF0006407A
ELEKTRA 80	PRF0006872A



≥ 45 cm



≥ 65 cm



HIGH PERFORMANCE



LONG LIFE FILTER



EASY INSTALLATION

Size	Ø 33 cm
Finish	Stainless steel, white
Version	Re-circulating or duct out

Controls	3s Soft light push button
Lighting	Halogen 2x20w
IEC airflow m³/h	240 - 559
Noise level db(A)	44 - 67
Total absorption W	215
Duct size	150 mm
Grease filter	Professional stainless steel

OPTIONAL ACCESSORIES	
Standard charcoal filter	F00333/S
Long life filter	F00262/3S

MODEL	
STONE SS	61412862A
STONE White	PRF0007123



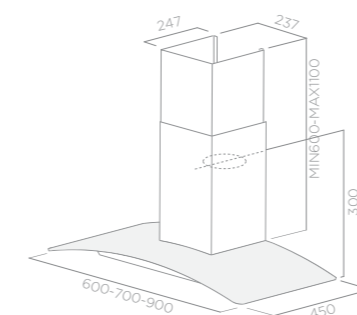
≥ 50 cm



≥ 65 cm



LONG LIFE FILTER



CIRCUS HE

ELICA DESIGN CENTER

Size	60 - 70 - 90cm
Finish	Stainless steel + glass
Version	Duct out or Recycling

Controls	3S+B LCD
Lighting	LED 2x2.5w 4000k
IEC airflow m³/h	224-448 (603)
Noise level db(A)	45-62 (69)
Total absorption W	265
Duct size	150 mm
Grease filter	Aluminium

OPTIONAL ACCESSORIES	
Standard charcoal filter	F00333/S
Long life filter	F00262/3S

MODEL	
CIRCUS HE 60	PRF0097371
CIRCUS HE 70	PRF0098892
CIRCUS HE 90	PRF0097372



≥ 50 cm



≥ 65 cm



HIGH PERFORMANCE

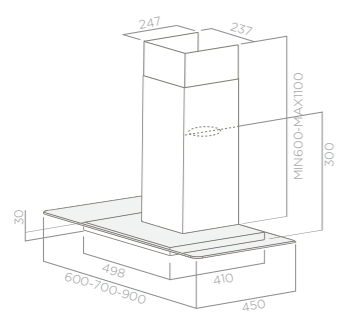


LONG LIFE FILTER



ENERGY CLASS





QUARTZ HE

ELICA DESIGN CENTER

Size	60 - 70 - 90 cm
Finish	Stainless steel + glass
Version	Re-circulating or duct out

Controls	3s + b LCD
Lighting	LED 2x2,5w 4000K
IEC airflow m³/h	224 - 448 (603)
Noise level db(A)	45 - 62 (69)
Total absorption W	265
Duct size	150 mm
Grease filter	Aluminium

OPTIONAL ACCESSORIES

Long life filter	F00262/3S
Standard charcoal filter	F00333/S

MODEL

QUARTZ HE 60	PRF0097367
QUARTZ HE 70	PRF0098891
QUARTZ HE 90	PRF0097368



≥ 50 cm



≥ 65 cm



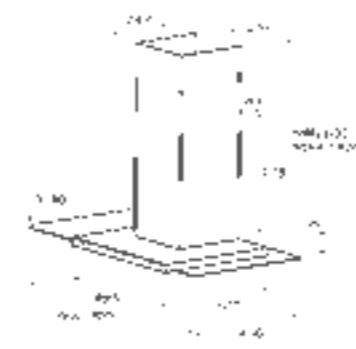
HIGH PERFORMANCE



LONG LIFE FILTER



ENERGY CLASS A



CRYSTAL

ELICA DESIGN CENTER

Size	60 - 90 cm
Finish	Stainless steel + glass
Version	Re-circulating or duct out

Controls	3S Mechanical Push Button
Lighting	Halogen 2X20W
IEC airflow (m³/h)	195 - 368
Noise Level db(A)	56 - 62
Pressure PEB (Pa)	105
Total absorption W	175
Duct Size	120 - 150 mm
Grease filter	Aluminium

OPTIONAL ACCESSORIES

Standard charcoal filter	F00333/S
Long life filter	F00262/3S
Chimney extension kit	KIT00780

MODELS

CRYSTAL 60	68516391
CRYSTAL 90	68516390



≥ 50 cm



≥ 65 cm



HIGH PERFORMANCE



LONG LIFE FILTER





ICONIC
WALL MOUNTED

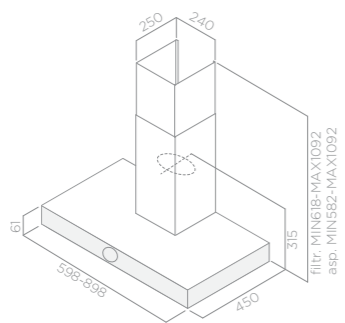
ALPHA

ELICA DESIGN CENTER

Controls	3s + b electronic rotative
Lighting	LED 2x2,5w 4000K
IEC airflow m³/h	272 - 515 (669)
Noise level db(A)	49 - 65 (70)
Total absorption W	260
Duct size	150 mm
Grease filter	Polyurethane

OPTIONAL ACCESSORIES	
Long life filter	F00262/3S
Standard charcoal filter	F00333/S

MODEL	
ALPHA SS 60	PRF0097149
ALPHA SS 90	PRF0097323
ALPHA Black 60	PRF0097782
ALPHA Black 90	PRF0097906



Size	60 - 90 cm
Finish	Stainless steel, embossed black
Version	Re-circulating or duct out



≥ 50 cm



≥ 65 cm



HIGH PERFORMANCE



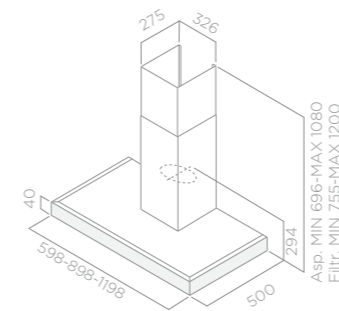
LONG LIFE FILTER



EASY INSTALLATION

TRENDY

ELICA DESIGN CENTRE



Size	60 - 90 - 120 cm
Finish	Stainless steel
Mode	Re-circulating or duct out

Controls	3 speeds + Boost Touch control with display
Lighting	Halogen 2x20w, 3x20w (120cm)
IEC airflow m³/h	240-480 (603)
Noise level db(A)	48-66 (71)
Total absorption W	290, 310 (120cm)
Duct size	150 mm
Grease filter	Professional stainless steel

OPTIONAL ACCESSORIES	
Long life filter	F00262/3S
Standard charcoal filter	F00333/S

MODELS	
TRENDY SS 60	PRF0027024
TRENDY SS 90	PRF0027022
TRENDY SS 120	PRF0027023



≥ 50 cm

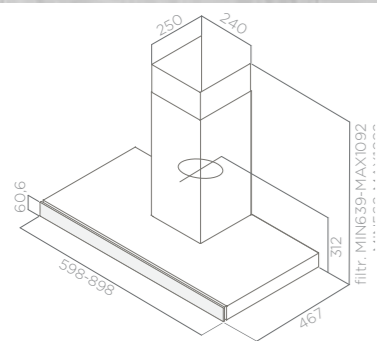


≥ 65 cm



LONG LIFE FILTER





JOY
ELICA DESIGN CENTER

Size	60 - 90 cm
Finish	Stainless steel + black glass, stainless steel + white glass
Version	Re-circulating or duct out
Controls	3s+b Touch control
Lighting	Halogen 2x20w
IEC airflow m³/h	288 - 581 (713)
Noise level db(A)	51 - 69 (73)
Total absorption W	300
Duct size	150 mm
Grease filter	Aluminium

OPTIONAL ACCESSORIES	
Standard charcoal filter	F00333/S
Long life filter	F00262/3S

MODEL	
JOY Black 60	PRF0104625
JOY Black 90	PRF0104626
JOY White 60	PRF0104630
JOY White 90	PRF0104631



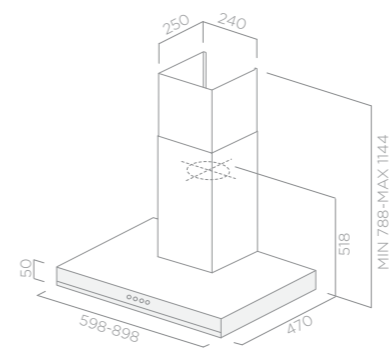
≥ 50 cm



≥ 65 cm



LONG LIFE FILTER



CUBE
ELICA DESIGN CENTRE



≥ 50 cm



≥ 65 cm



HIGH PERFORMANCE



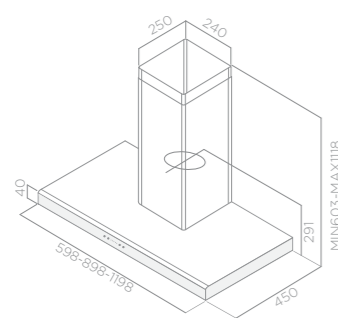
LONG LIFE FILTER

Size	60 - 90 cm
Finish	Stainless steel
Version	Re-circulating or duct out

Controls	3s Soft Touch Push Button
Lighting	Halogen 2X20W
IEC airflow (m³/h)	240-603
Noise Level db(A)	47-70
Pressure PEB (Pa)	414
Total absorption W	290
Duct Size	150 mm
Grease filter	Professional Stainless Steel

OPTIONAL ACCESSORIES	
Standard charcoal filter	F00333/S
Long life filter	F00262/3S
Chimney extension kit (+230 SS)	KIT00780

MODELS	
CUBE 60	51713693A
CUBE 90	51713694A



LUNA
ELICA DESIGN CENTER

Size	60 - 90 - 120 cm
Finish	Stainless steel
Version	Re-circulating or duct out
Controls	3s + B Touch control
Lighting	Neon 14w(60cm), 21w(90cm), 28w(120cm)
IEC airflow m³/h	288-581 (691)
Noise level db(A)	52-68 (72)
Total absorption W	274(60cm), 281(90cm), 288 (120cm)
Duct size	150 mm
Grease filter	Stainless steel
Standard charcoal filter	Included



≥ 50 cm



≥ 65 cm



AMBIENT LIGHT

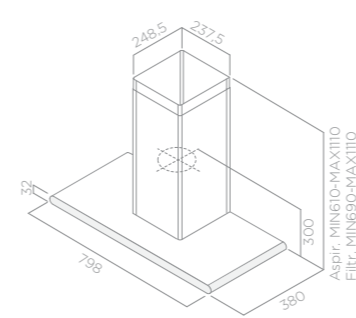


LONG LIFE FILTER



EASY INSTALLATION

OPTIONAL ACCESSORIES	
Long life filter	F00262/3S
MODEL	
LUNA 60	PRF0091764A
LUNA 90	PRF0079550A
LUNA 120	PRF0079551A



GALAXY
ELICA DESIGN CENTER

Size	80 cm
Finish	Stainless steel + black glass, stainless steel + white glass
Version	Re-circulating or duct out
Controls	3s + B Touch control
Lighting	Halogen 2x20w
IEC airflow m³/h	288-559 (647)
Noise level db(A)	52-69(73)
Total absorption W	300
Duct size	150 mm
Grease filter	Aluminium

OPTIONAL ACCESSORIES	
Long life filter	F00262/3S
Standard charcoal filter	F00333/S

MODEL	
GALAXY SS/Black	PRF0008948A
GALAXY SS/White	PRF0009822A



≥ 50 cm

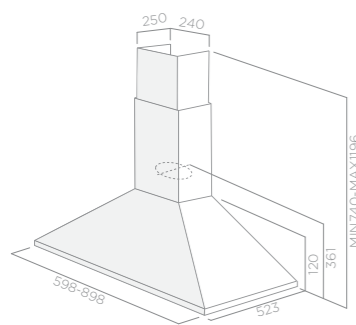


≥ 65 cm



LONG LIFE FILTER





CLAIRE
ELICA DESIGN CENTER

Size	60 - 90 cm
Finish	Stainless steel + black glass
Version	Re-circulating or duct out
Controls	3s + B Touch control
Lighting	LED 2x2,5w 4000K
IEC airflow m³/h	272-581 (713)
Noise level db(A)	52-69(73)
Total absorption W	265
Duct size	150 mm
Grease filter	Aluminium

OPTIONAL ACCESSORIES

Long life filter	F00262/3S
Standard charcoal filter	F00333/S

MODEL

CLAIRE 60	PRF0110509
CLAIRE 90	PRF0110510



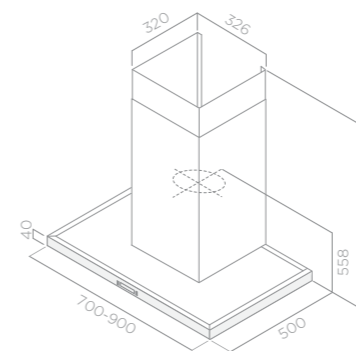
≥ 50 cm



≥ 65 cm



LONG LIFE FILTER



TENDER
ELICA DESIGN CENTRE



≥ 50 cm



≥ 65 cm



HIGH PERFORMANCE



LONG LIFE FILTER

Size	70 - 90 cm
Finish	Stainless steel
Version	Duct out or re-circulating

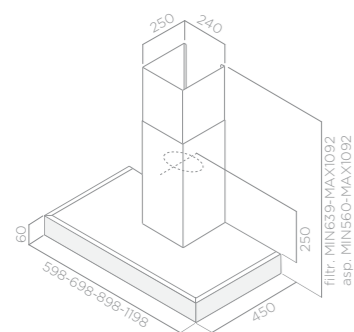
Controls	3S+B LCD
Lighting	LED 2X2,5W 4000k
IEC airflow (m³/h)	240-464 (603)
Noise Level db(A)	45-55 (60)
Pressure PEB (Pa)	454
Total absorption W	255
Duct Size	150 mm
Grease filter	EDS3

OPTIONAL ACCESSORIES

Long life filter	CFC0097952
------------------	------------

MODELS

TENDER 70	559162388
TENDER 90	559162328



SPOT HE

ELICA DESIGN CENTER

Size	60 - 70 - 90 - 120 cm
Finish	Stainless steel
Version	Re-circulating or duct out
Controls	3s + b LCD
Lighting	LED 2x2,5w 4000K
IEC airflow m³/h	224-448(625)
Noise level db(A)	44-62(69)
Total absorption W	265
Duct size	150 mm
Grease filter	Aluminium



≥ 50 cm



≥ 65 cm



HIGH PERFORMANCE

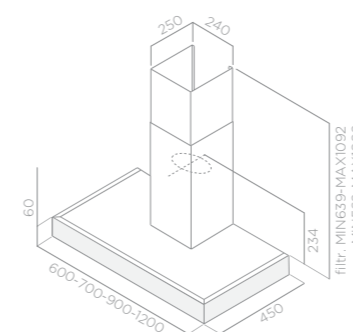


LONG LIFE FILTER



ENERGY CLASS A

OPTIONAL ACCESSORIES	
Long life filter	F00262/3S
Standard charcoal filter	F00333/S
MODEL	
SPOT HE 60	PRF0097374
SPOT HE 70	PRF0098956
SPOT HE 90	PRF0097373
SPOT HE 120	PRF0100242



LEDGE

ELICA DESIGN CENTER

Size	60 - 70 - 90 - 120 cm
Finish	Stainless steel
Version	Re-circulating or duct out
Controls	3s mechanical push button
Lighting	Halogen 2x20w, 3x20w (120cm)
IEC airflow m³/h	195 - 368
Noise level db(A)	56-62
Total absorption W	175, 195 (120cm)
Duct size	120-150 mm
Grease filter	Aluminium



≥ 50 cm



≥ 65 cm



HIGH PERFORMANCE



LONG LIFE FILTER



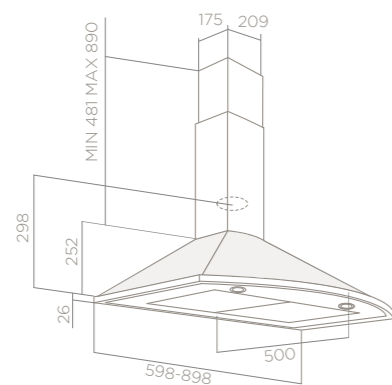
ENERGY CLASS A

OPTIONAL ACCESSORIES	
Standard charcoal filter	F00333/S
Long life filter	F00262/3S
MODEL	
LEDGE 60	55916388
LEDGE 70	PRF0099405
LEDGE 90	55916389
LEDGE 120	PRF0099407





SUN



Size	60 - 90 cm
Finish	Stainless steel
Version	Re-circulating or duct out



≥ 50 cm



≥ 65 cm

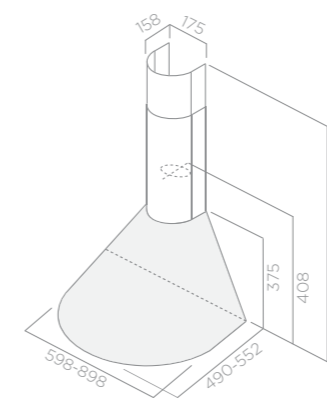
Controls	3s + B Touch control
Lighting	Halogen 2x20w
IEC airflow m³/h	272-559 (735)
Noise level db(A)	48-64 (70)
Total absorption W	290
Duct size	150 mm
Grease filter	Aluminium

OPTIONAL ACCESSORIES

Grease filter professional stainless steel	KIT01036
Standard charcoal filter	CFC0013072

MODEL	
SUN 60	PRF0099347
SUN 90	PRF0099357

TONDA



Size	60 - 90 cm
Finish	Stainless steel
Version	Re-circulating or duct out



≥ 50 cm



≥ 65 cm

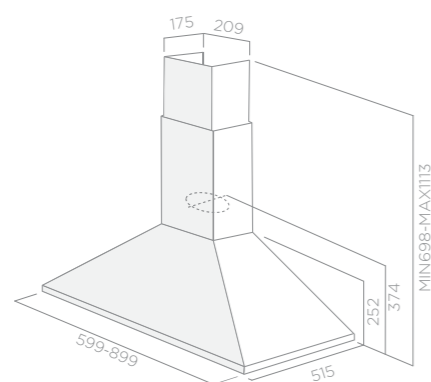
Controls	3S slider
Lighting	Halogen 2x28w
IEC airflow m³/h	185-368
Noise level db(A)	53-63
Total absorption W	226
Duct size	120 mm
Grease filter	Aluminium
Standard charcoal filter	Included

MODEL

TONDA 60	2938000A
TONDA 90	2937999A



TAMAYA HP



Controls	3S +B Touch control with display
Lighting	Halogen 2x20w
IEC airflow m³/h	256-559 (735)
Noise level db(A)	50-64 (69)
Total absorption W	290
Duct size	150 mm
Grease filter	Aluminium

OPTIONAL ACCESSORIES

Grease filter professional stainless steel	KIT01036
Standard charcoal filter	CFC0013072
Chimney ext. kit (+390mm)	KIT00778A
Chimney ext. kit (+610mm)	KIT00779A

MODEL

TAMAYA 60 HP	PRF0009991
TAMAYA 90 HP	PRF0009989



Size 60 - 90 cm

Finish Stainless steel

≥ 50 cm



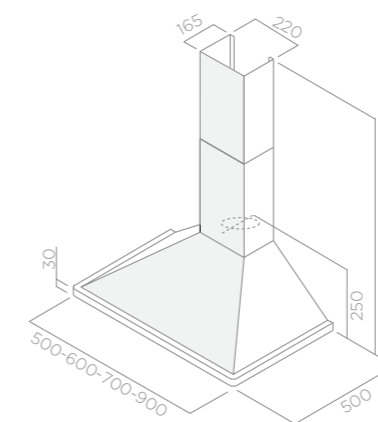
Version Re-circulating or duct out

≥ 65 cm



HIGH PERFORMANCE

AQUA VITAE



Controls	3s Mechanical Push Button
Lighting	Halogen 2x28w
IEC airflow m³/h	145-320
Noise level db(A)	57-69
Total absorption W	206
Duct size	120 mm
Grease filter	Aluminium

OPTIONAL ACCESSORIES

Standard charcoal filter	F00315 (Pair)
--------------------------	---------------

MODEL

AQUAVITAE 50	PRF0061486
AQUAVITAE 60	PRF0061480
AQUAVITAE 70	PRF0061476
AQUAVITAE 90	PRF0061463



Size 50 - 60 - 70 - 90 cm

Finish Stainless steel

≥ 50 cm

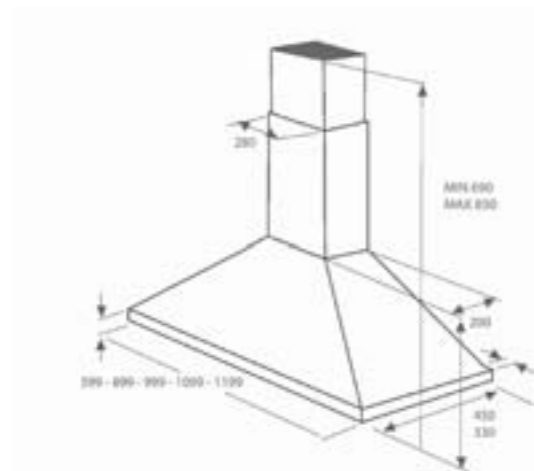


Version Re-circulating or duct out

≥ 65 cm



COVE



Size	60 - 90 - 100 - 110 - 120 cm
Finish	Stainless steel, black, white, blue, green, maroon or cream
Version	Re-circulating or duct out (ELB-2M), duct out only (GME)



≥ 50 cm



≥ 65 cm

ELB-2M *GME (REMOTE MOTOR)

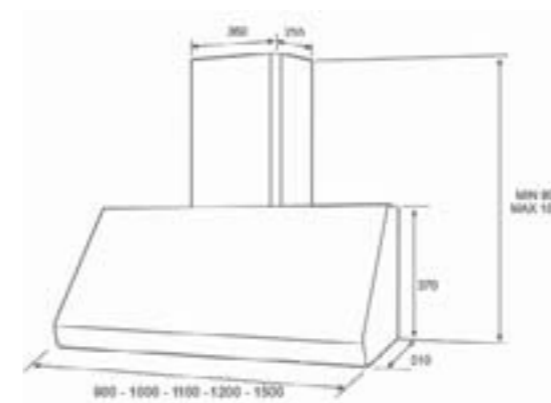
Controls	3s slider	3s Electronic Slider
Lighting	Halogen 2X28W	Halogen 2X20W
IEC airflow (m³/h)	155-336	256-496 (559)
Noise Level db(A)	53-68	38-57 (61) (Near Hood) 63-75 (Near Motor)
Total absorption W	286	226
Duct Size	120 mm	150 mm
Grease filter	Professional stainless steel	
Standard charcoal filter	Included	

MODELS

Contact Sales department with specification required

See page 211 for 4009378 remote motor specifications.
Option to be installed inside or outside the home.

PRO ANGLO



Size	90 - 100 - 110 - 120 - 150 cm
Finish	Stainless steel, green, blue, maroon, cream, black or white
Version	Re-circulating or duct out (ELB-HT), duct out only (GME)



≥ 65 cm



≥ 75 cm

ELB-HT GME (REMOTE MOTOR)

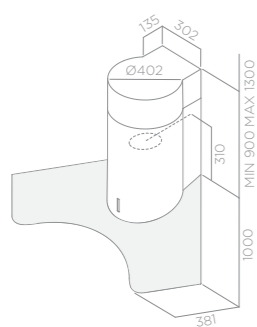
Controls	4 speed slider	3s Electronic Slider
Lighting	Halogen 2X20W	Halogen 2X20W
IEC airflow (m³/h)	256 - 369 (647)	256-496 (559)
Noise Level db(A)	49 - 66 (71)	38 - 57 (61) (Near Hood) 63 - 75 (Near Motor)
Pressure (Pa)	380	550
Total absorption W	240	226
Duct Size	150 mm	150 mm
Grease filter	GFA included	

OPTIONAL ACCESSORIES

Standard charcoal filter F00169 (Pair)

MODELS

Contact Sales department with specification required
See page 211 for 4009378 remote motor specifications.
Option to be installed inside or outside the home.



PERSONAL
ELICA DESIGN CENTER

Size	100x100 cm
Finish	Stainless steel + glass
Version	Re-circulating or duct out
Controls	3s Soft light push button
Lighting	Halogen 2x20w
IEC airflow m³/h	224-537
Noise level db(A)	47-65
Total absorption W	215
Duct size	150 mm
Grease filter	Professional stainless steel

OPTIONAL ACCESSORIES	
Long life filter	F00262/3S
Standard charcoal filter	F00333/S

MODEL	
PERSONAL	66414789



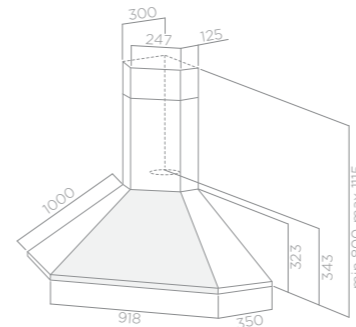
≥ 50 cm



≥ 65 cm



LONG LIFE FILTER



ACUTA
ELICA DESIGN CENTER

Size	100x100 cm
Finish	Stainless steel
Version	Re-circulating or duct out

Controls	3s+b Touch control
Lighting	Halogen 4x20w
IEC airflow m³/h	272-515(625)
Noise level db(A)	46-60(65)
Total absorption W	280
Duct size	150 mm
Grease filter	Aluminium
Standard charcoal filter	Included

MODEL	
ACUTA	PRF0121267



≥ 65 cm

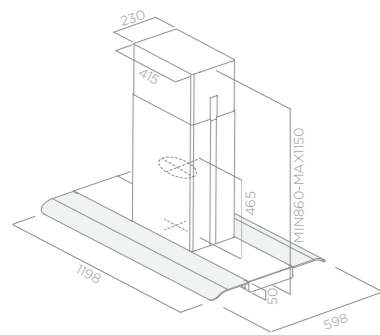


≥ 75 cm



HIGH PERFORMANCE





SERENDIPITY ISLAND

DESIGN FABRIZIO CRISÀ

Size	120x60 cm
Finish	Stainless steel + glass
Mode	Re-circulating or duct out

Controls	3 speeds + Boost Touch control
Lighting	Strip LED 7w 4000K
IEC airflow m³/h	256-515 (625)
Noise level db(A)	45-62 (67)
Total absorption W	207
Duct size	150 mm
Grease filter	Aluminium



≥ 50 cm



≥ 65 cm



HIGH PERFORMANCE



LONG LIFE FILTER



ENERGY CLASS A

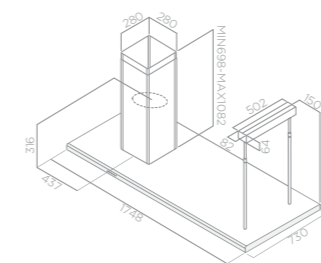
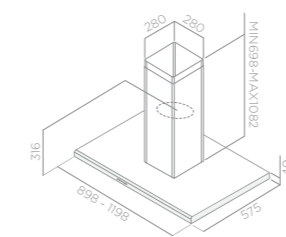
OPTIONAL ACCESSORIES	
Long life filter	KIT0120950

MODELS	
SERENDIPITY ISLAND	PRF0120064



LUNA ISLAND

ELICA DESIGN CENTER



Size	60x90 cm; 60x120 cm; 73 x 180 cm
Finish	Stainless steel
Version	Re-circulating or duct out

Controls	3s + B Touch control - Double (180 cm)
Lighting	Neon 2x21w(90cm), 2x28w(120cm), 4x21w(180cm)
IEC airflow m³/h	288-581(691)
Noise level db(A)	52-68(72)
Total absorption W	302 (90cm) 316 (120cm) 344 (180cm)
Duct size	150 mm
Grease filter	Stainless steel (90 - 120 cm) or Aluminium (180 cm)
Standard charcoal filter	Included

OPTIONAL ACCESSORIES	
Long life filter	F00262/3S

MODEL	
LUNA ISLAND 90	PRF0093507A
LUNA ISLAND 120	PRF0093541A
LUNA ISLAND 180*	PRF0079552A



≥ 50 cm



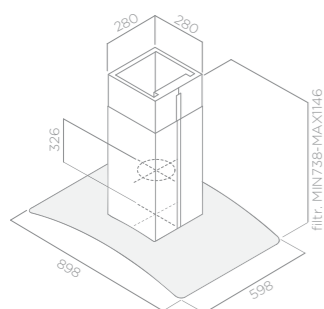
≥ 65 cm



AMBIENT LIGHT



LONG LIFE FILTER



CIRCUS HE ISLAND

ELICA DESIGN CENTER

Size	90x60 cm
Finish	Stainless steel + glass
Version	Re-circulating or duct out

Controls	3s + b LCD
Lighting	LED 2x2,5w 4000K
IEC airflow m³/h	224-448(603)
Noise level db(A)	45-62(69)
Total absorption W	265
Duct size	150 mm
Grease filter	Aluminium



≥ 50 cm



≥ 65 cm



HIGH PERFORMANCE

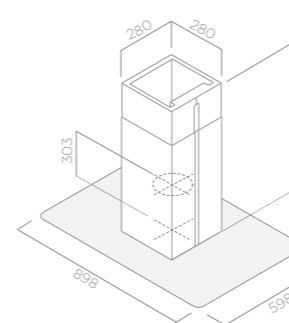


LONG LIFE FILTER



ENERGY CLASS A

OPTIONAL ACCESSORIES	
Long life filter	F00262/3S
Standard charcoal filter	F00333/S
MODEL	CIRCUS HE ISLAND
	PRF0097370



QUARTZ HE ISLAND

Size	90x60 cm
Finish	Stainless steel + glass
Version	Re-circulating or duct out

Controls	3s + b LCD
Lighting	LED 2x2,5w 4000K
IEC airflow m³/h	224-448(603)
Noise level db(A)	45-62(69)
Total absorption W	265
Duct size	150 mm
Grease filter	Aluminium



≥ 50 cm



≥ 65 cm



HIGH PERFORMANCE



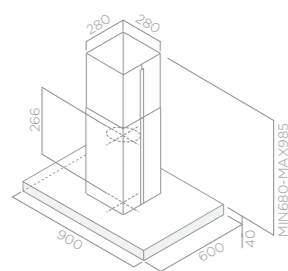
LONG LIFE FILTER



ENERGY CLASS A

OPTIONAL ACCESSORIES	
Long life filter	F00262/3S
Standard charcoal filter	F00333/S
MODEL	QUARTZ HE ISLAND
	PRF0097369





TRENDY ISLAND

ELICA DESIGN CENTRE

Size	90x60 cm
Finish	Stainless steel
Mode	Re-circulating or duct out
Controls	3 speeds + Boost Touch control with display
Lighting	Halogen 4x20w
IEC airflow m ³ /h	240-480 (603)
Noise level db(A)	48-66 (71)
Total absorption W	330
Duct size	150 mm
Grease filter	Professional stainless steel
OPTIONAL ACCESSORIES	
Long life filter	F00262/3S
Standard charcoal filter	F00333/S
MODELS	
TRENDY ISLAND	PRF0100078



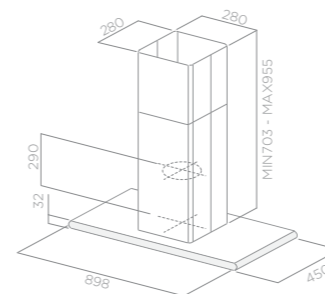
≥ 50 cm



≥ 65 cm



LONG LIFE FILTER



GALAXY ISLAND

ELICA DESIGN CENTER

Size	90x45 cm
Finish	Stainless steel + black glass, stainless steel + white glass
Version	Re-circulating or duct out
Controls	3s + B Touch control
Lighting	Halogen 4x10w
IEC airflow m ³ /h	288-559 (647)
Noise level db(A)	52-69(73)
Total absorption W	300
Duct size	150 mm
Grease filter	Aluminium
OPTIONAL ACCESSORIES	
Long life filter	F00262/3S
Standard charcoal filter	F00333/S
MODEL	
GALAXY ISLAND SS/Black	PRF0017852A
GALAXY ISLAND SS/White	PRF0019192A



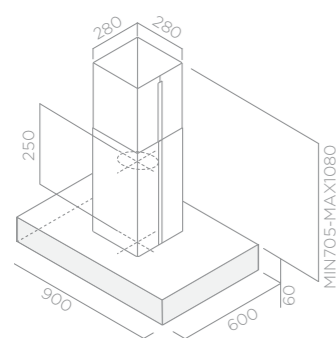
≥ 50 cm



≥ 65 cm



LONG LIFE FILTER



SPOT HE ISLAND

ELICA DESIGN CENTER

Size	90x60 cm
Finish	Stainless steel
Version	Re-circulating or duct out

Controls	3s + b LCD
Lighting	LED 4x2,5w 4000K
IEC airflow m³/h	224-537(603)
Noise level db(A)	48-64(70)
Total absorption W	270
Duct size	150 mm
Grease filter	Aluminium



≥ 50 cm



≥ 65 cm



HIGH PERFORMANCE

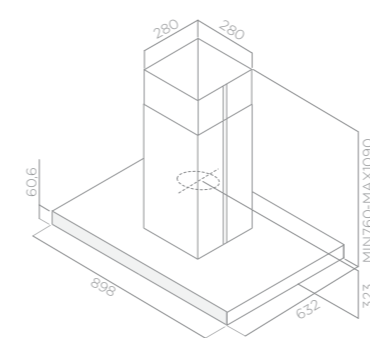


LONG LIFE FILTER



ENERGY CLASS A

OPTIONAL ACCESSORIES	
Long life filter	F00262/3S
Standard charcoal filter	F00333/S
MODEL	SPOT HE ISLAND PRF0097375



JOY ISLAND

ELICA DESIGN CENTER

Size	90x60 cm
Finish	Stainless steel + black glass, stainless steel + white glass
Version	Re-circulating or duct out

Controls	3s+b Touch control
Lighting	Halogen 4x20w
IEC airflow m³/h	288-581(713)
Noise level db(A)	51-69 (73)
Total absorption W	340
Duct size	150 mm
Grease filter	Aluminium

OPTIONAL ACCESSORIES	
Standard charcoal filter	F00333/S
Long life filter	F00262/3S

MODEL	
JOY ISLAND SS/Black	PRF0104628
JOY ISLAND SS/White	PRF0104629



≥ 50 cm

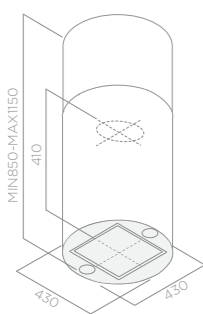


≥ 65 cm



LONG LIFE FILTER





TUBE ISLAND

Size	Ø 43 cm
Finish	Stainless steel
Version	Re-circulating or duct out
Controls	3s + b Touch control with display
Lighting	Halogen 2x20w
IEC airflow m³/h	224-416 (496)
Noise level db(A)	47-63(67)
Total absorption W	290
Duct size	150 mm
Grease filter	Aluminium
OPTIONAL ACCESSORIES	
Long life filter	F00431/S
MODEL	
TUBE ISLAND	PRF0009572



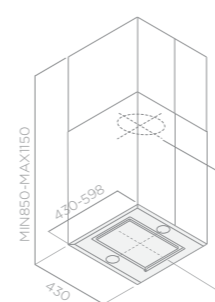
≥ 50 cm



≥ 65 cm



LONG LIFE FILTER



KUADRA ISLAND

Size	43 - 60 cm
Finish	Stainless steel
Version	Re-circulating or duct out
Controls	3s + b Touch control with display
Lighting	Halogen 2x20w
IEC airflow m³/h	224-416(496)
Noise level db(A)	48-62(66)
Total absorption W	290
Duct size	150 mm
Grease filter	Aluminium
OPTIONAL ACCESSORIES	
Long life filter	F00431/S
MODEL	
KUADRA 43	PRF0007655
KUADRA 60	PRF0007028



≥ 50 cm



≥ 65 cm



LONG LIFE FILTER



YIN
DESIGN FABRIZIO CRISÀ



≥ 65 cm



≥ 65 cm



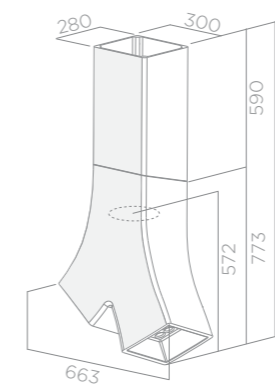
HIGH PERFORMANCE



LONG LIFE FILTER



EASY INSTALLATION



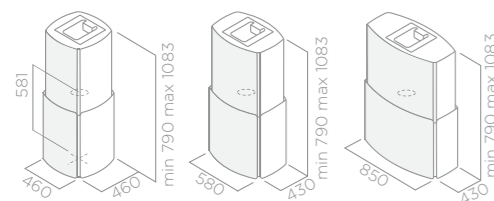
Size	66 cm
Finish	White cristalplant
Version	Re-circulating or duct out

Controls	3s + B remote control
Remote control	Included
Lighting	LED 2x4w 4000K
IEC airflow m³/h	224-480(625)
Noise level db(A)	43-61(68)
Total absorption W	268
Duct size	150 mm
Grease filter	Polyurethane

OPTIONAL ACCESSORIES	
Long life filter	CFC0098633

MODEL	YIN
	PRF0098375

Cristalplant®, a hypoallergenic non-toxic material, resistant and agreeable to the touch. Thanks to the abrasive pad, any kind of surface damage (e.g. scratches, stubborn stains, cigarette burns) can be easily removed while maintaining its original appearance over time.



CHROME

ELICA DESIGN CENTER

Size	46x46 cm; 58x43 cm; 85x43 cm
Finish	Shiny stainless steel
Version	Re-circulating or duct out

Controls	3s + B Magic Wand
Lighting	LED 2x2,5w 4000K, 4x2,5w 4000K (85 cm)
IEC airflow m ³ /h	240-464(603)
Noise level db(A)	45-55(60)
Total absorption W	255, 260 (85 cm)
Duct size	150 mm
Grease filter	EDS3

OPTIONAL ACCESSORIES

Long life filter	CFC0097952
White remote control kit	KIT0121468
Black remote control kit	KIT0121469



≥ 50 cm



≥ 65 cm



HIGH PERFORMANCE



LONG LIFE FILTER

Kit remote control optional. See page 219 for available designs.

MODEL

CHROME 46	69315812C
CHROME 58	69315976C
CHROME 85	69315977C

The Elica Deep Silence (EDS3) system allows the hood to function with the lowest level of noise possible in fact, at low speeds, there is no perceptible noise at all. This reduce domestic noise pollution of more than 35% with respect to traditional cooker hoods.

OBELISK

ELICA DESIGN CENTER

Size	44x31 cm
Finish	Stainless steel
Version	Duct out, recirculating or REMOTE motor

	INTERNAL MOTOR	REMOTE MOTOR
Controls	3s Soft Light Push Button	
Lighting	Halogen 4X20W	
IEC airflow (m ³ /h)	224-537	240-647
Noise Level db(A)	47-65	33-58 (near hood) 63-75 (near motor)
Pressure PEB (Pa)	314	354
Total absorption (W)	255	270
Duct Size (mm)	150	150
Grease filter	Professional stainless steel	

OPTIONAL ACCESSORIES

Standard charcoal filter	F00333/S
Long life filter	F00262/3S

MODELS

OBELISK	56010692A
OBELISK RM	56010749A
REMOTE MOTOR	4009378

See page 211 for 4009378 remote motor specifications.



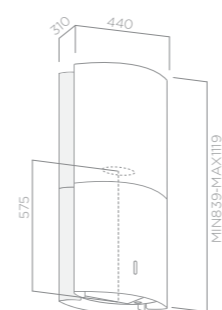
≥ 50 cm



≥ 65 cm



LONG LIFE FILTER





PEARL WHITE



PEARL WHITE MAT

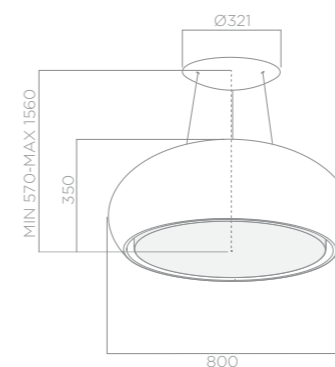


PEARL STEEL



PEARL BLACK

PEARL
DESIGN FABRIZIO CRISÀ



≥ 60 cm



≥ 70 cm



LONG LIFE FILTER

Size	80 cm
Finish	Pearl, matt white, matt black, shiny stainless steel
Version	Recycling

Controls	3s + B remote control
Remote control	Included
Lighting	Neon 4X24w
IEC airflow m³/h	180-336 (400)
Noise level db(A)	55-67(70)
Total absorption W	346
Grease filter	Aluminium
Long life filter	Included

OPTIONAL ACCESSORIES	
Extension cable kit (2,5m SS)	KIT0067590

MODEL	
PEARL White	PRF0024262A
PEARL Matt White	PRF0098392
PEARL Black	PRF0098393
PEARL Polished SS	PRF0098394

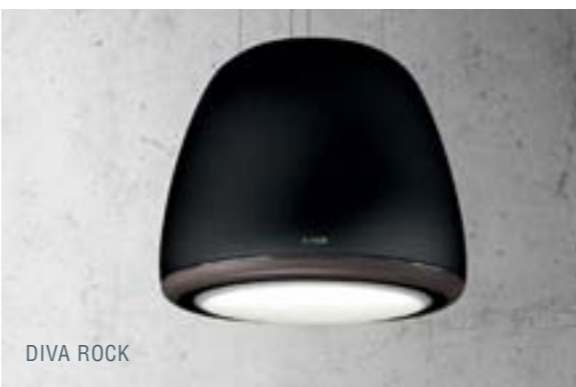
Model not subject to compulsory energy certification.



DIVA CLASSIC (SUSPENDED)



DIVA CLASSIC



DIVA ROCK



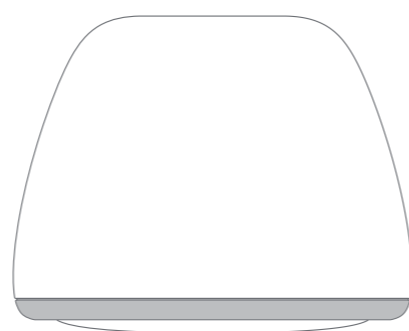
DIVA JAZZ



DIVA ROCK (WALL MOUNTED) WITH STAINLESS STEEL BRACKET (INCLUDED)



DIVA HEAVY METAL



CORAL



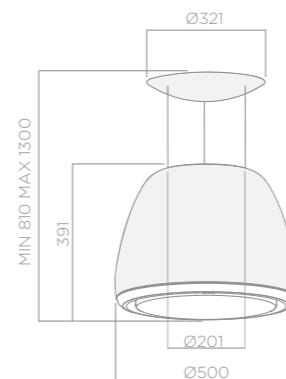
TEA



AQUAMARINE



DIVA
DESIGN FABRIZIO CRISÀ



≥ 50 cm



≥ 65 cm



LONG LIFE FILTER



HIGH PERFORMANCE



A ENERGY CLASS

Size	Ø 50 cm
Finish	Coloured metal, shiny stainless steel
Version	Re-circulating

Controls	3S+B Touch Control
Remote control	Included
Lighting	LED 9w 3500k
IEC airflow (m³/h)	165-336 (384)
Noise Level db(A)	50-59 (60)
Total absorption W	54
Grease filter	Polyurethane
Long life filter	Included

OPTIONAL ACCESSORIES

Revolution filter	KIT0120956
Cover DIVA Tea	KIT0100143
Cover DIVA Coral	KIT0100145
Cover DIVA Aquamarine	KIT0100150

MODEL

DIVA CLASSIC	PRF0098360
DIVA HM	PRF0098364
DIVA JAZZ	PRF0098362
DIVA ROCK	PRF0098361

Model not subject to compulsory energy certification.

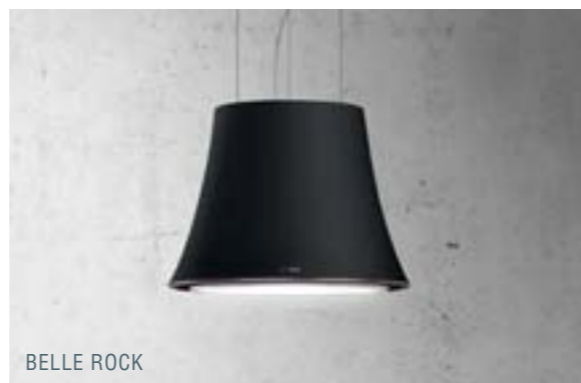
The product can be customized by selecting accessory cover kits available in 3 different finishes, which can also be purchased later. Mounting options: both ceiling and wall. Cables and bracket are included in the package.



BELLE CLASSIC (SUSPENDED)



BELLE CLASSIC



BELLE ROCK



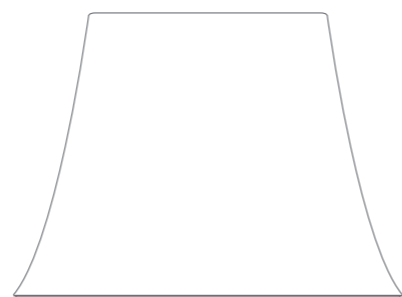
BELLE JAZZ



BELLE HEAVY METAL (WALL MOUNTED) WITH BLACK BRACKET (INCLUDED)



BELLE HEAVY METAL

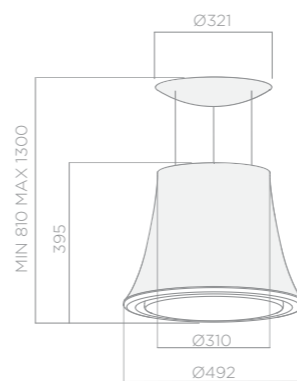


CORAL

TEA

AQUAMARINE

BELLE
DESIGN FABRIZIO CRISÀ



≥ 50 cm



≥ 65 cm



LONG LIFE FILTER



HIGH PERFORMANCE



Size Ø 50 cm

Finish Coloured metal, shiny stainless steel

Version Re-circulating

Controls	3S+B Touch Control
Remote control	Included
Lighting	LED 9w 3500k
IEC airflow (m³/h)	165-336 (384)
Noise Level db(A)	50-59 (60)
Total absorption W	54
Grease filter	Polyurethane
Long life filter	Included

OPTIONAL ACCESSORIES

Revolution filter	KIT0120956
Cover BELLE Tea	KIT0100144
Cover BELLE Coral	KIT0100149
Cover BELLE Aquamarine	KIT0100151

MODEL

BELLE ROCK	PRF0098366
BELLE JAZZ	PRF0098367
BELLE HM	PRF0098368
BELLE CLASSIC	PRF0098365

The product can be customized by selecting accessory cover kits available in 3 different finishes, which can also be purchased later. Mounting options: both ceiling and wall. Cables and bracket are included in the package.



CELESTIAL
ELICA DESIGN CENTER



≥ 50 cm



≥ 65 cm



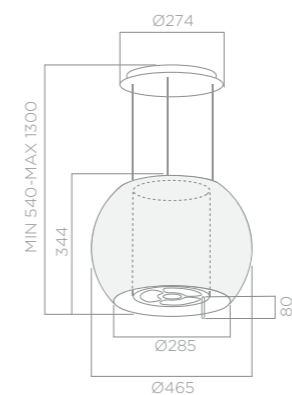
LONG LIFE FILTER



AMBIENT LIGHT



DIM-LIGHT



Size	Ø 47 cm
Finish	Stainless steel + glass
Version	Recycling

Controls	3s + B Magic Wand
Lighting	LED 5w 4000K + Halogen 3x28w
IEC airflow m³/h	208 - 384 (515)
Noise level db(A)	51 - 66 (72)
Total absorption W	309
Duct size	150 mm
Grease filter	Aluminium
Long life filter	Included

OPTIONAL ACCESSORIES	
White remote control kit	KIT0121468
Black remote control kit	KIT0121469
Extension cable kit (2,5m SS)	KIT01889
Extension cable kit (5m SS)	KIT01921

Kit remote control optional. See page 219 for available designs.

MODEL	CELESTIAL
	65414592/4



ICONIC
SUSPENDED



EASY
ELICA DESIGN CENTRE

Controls	3 speeds + Boost Touch control
Lighting	LED 3x2,5w 4000K
IEC airflow m³/h	256-515 (603)
Noise level db(A)	45-63 (67)
Total absorption W	207,5
Grease filter	Aluminium
Long life filter	Included

OPTIONAL ACCESSORIES

Wall mounted kit	KIT01211394
Extension cable kit (2,5m SS)	KIT01889
Extension cable kit (5m SS)	KIT01921

MODELS

EASY Black	PRF0120352
EASY White	PRF0119940
EASY SS	PRF0120354



≥ 50 cm



≥ 65 cm



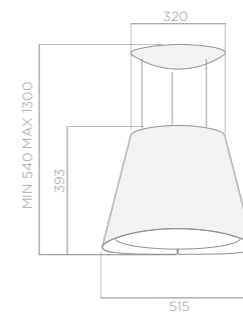
HIGH PERFORMANCE



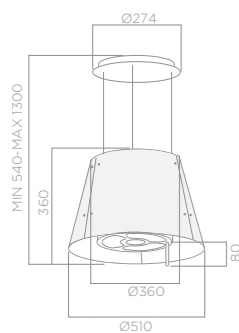
LONG LIFE FILTER



ENERGY CLASS A



Size	50 cm
Finish	Black, white, stainless steel
Mode	Re-circulating



CHARM

ELICA DESIGN CENTER



Size	Ø 51 cm
Finish	White glass + stainless steel, black glass + stainless steel
Version	Recycling

Controls	3s + B Magic Wand
Lighting	LED 5w 4000K + Halogen 3x28w
IEC airflow m³/h	208-384(515)
Noise level db(A)	51-66(72)
Total absorption W	309
Duct size	150 mm
Grease filter	Aluminium
Long life filter	Included



≥ 50 cm



≥ 65 cm



LONG LIFE FILTER



AMBIENT LIGHT

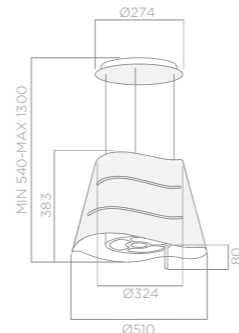


DIM-LIGHT

OPTIONAL ACCESSORIES	
White remote control kit	KIT0121468
Black remote control kit	KIT0121469
Extension cable kit (2,5m SS)	KIT01889
Extension cable kit (5m SS)	KIT01921
Kit remote control optional. See page 219 for available designs.	

MODEL	
CHARM White	65414586/3
CHARM Black	PRF0010393B

Mounting options: both ceiling and wall. Cables and bracket are included in the package.



FLOW

ELICA DESIGN CENTER



Size	Ø 51 cm
Finish	Stainless steel, black
Version	Recycling

Controls	3s + B Magic Wand
Lighting	LED 5w 4000K + Halogen 3x28w
IEC airflow m³/h	208-384(515)
Noise level db(A)	51-66(72)
Total absorption W	309
Duct size	150 mm
Grease filter	Aluminium
Long life filter	Included



≥ 50 cm



≥ 65 cm



LONG LIFE FILTER



AMBIENT LIGHT



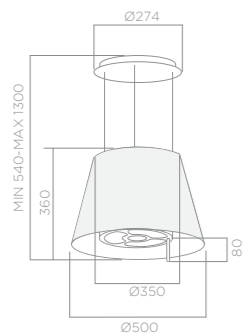
DIM-LIGHT

OPTIONAL ACCESSORIES	
White remote control kit	KIT0121468
Black remote control kit	KIT0121469
Extension cable kit (2,5m SS)	KIT01889
Extension cable kit (5m SS)	KIT01921
Kit remote control optional. See page 219 for available designs.	

MODEL	
FLOW SS	65414588/3
FLOW Black	PRF0090419A

Mounting options: both ceiling and wall. Cables and bracket are included in the package.





SPLENDORE

ELICA DESIGN CENTER



Size	Ø 50 cm
Finish	Shiny stainless steel
Version	Recycling

Controls	3s + B Magic Wand
Lighting	LED 5w 4000K + Halogen 3x28w
IEC airflow m³/h	208-384(515)
Noise level db(A)	51-66(72)
Total absorption W	309
Duct size	150 mm
Grease filter	Aluminium
Long life filter	Included

OPTIONAL ACCESSORIES

White remote control kit	KIT0121468
Black remote control kit	KIT0121469
Extension cable kit (2,5m SS)	KIT01889
Extension cable kit (5m SS)	KIT01921

Kit remote control optional. See page 219 for available designs.

MODEL	SPLENDORE	65414587/3
-------	-----------	------------

Mounting options: both ceiling and wall. Cables and bracket are included in the package.



≥ 50 cm



≥ 65 cm



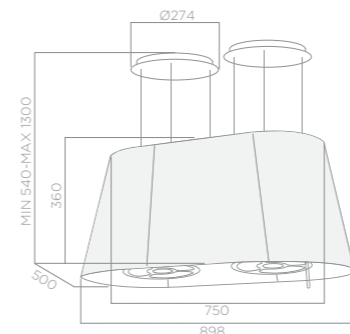
AMBIENT LIGHT



DIM-LIGHT



LONG LIFE FILTER



TANDEM

ELICA DESIGN CENTER



Size	90x50 cm
Finish	Stainless steel
Version	Recycling

Controls	3s + B Magic Wand
Lighting	Halogen 2x40w + Halogen 6x28w
IEC airflow m³/h	288-625(867)
Noise level db(A)	58-73(78)
Total absorption W	510
Duct size	150 mm
Grease filter	Aluminium (2pcs)
Long life filter	Included (2pcs)

OPTIONAL ACCESSORIES

White remote control kit	KIT0121468
Black remote control kit	KIT0121469
Extension cable kit (2,5m SS) (2 req)	KIT01889 (1pc)
Extension cable kit (5m SS) (2 req)	KIT01921 (1pc)

Kit remote control optional. See page 219 for available designs.

MODEL	TANDEM	65414590/2
-------	--------	------------



≥ 50 cm



≥ 65 cm

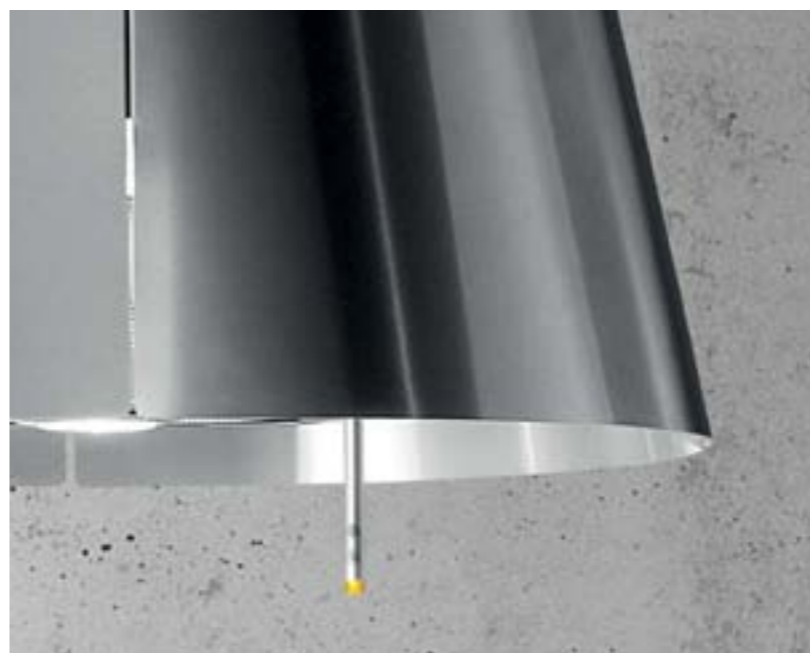


AMBIENT LIGHT



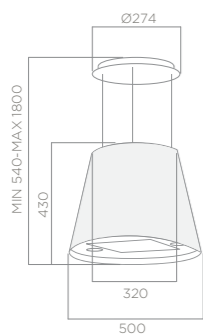
DIM-LIGHT

LONG LIFE FILTER





ICONIC
SUSPENDED



JUNO

ELICA DESIGN CENTRE

Size	50 cm
Finish	Black, white, stainless steel
Mode	Re-circulating

Controls	3s Soft Touch Push Button
Lighting	Halogen 2x20w
Max airflow m³/h	240-603
Noise level db(A)	47-67
Total absorption W	260
Duct size	150 mm
Grease filter	Aluminium
Long life filter	Included

OPTIONAL ACCESSORIES	
Wall mounted kit	KIT02263
Extension cable kit (2,5m SS)	KIT01889
Extension cable kit (5m SS)	KIT01921



≥ 50 cm

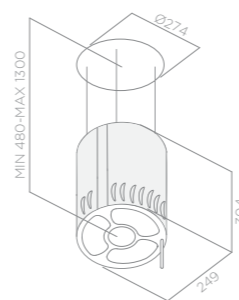


≥ 65 cm



LONG LIFE FILTER

MODELS	
JUNO Black	PRF0071970A
JUNO White	PRF0071972A
JUNO SS	PRF0089651A



SIENNA

ELICA DESIGN CENTER



Size	Ø 25 cm
Finish	Stainless steel
Version	Recycling

Controls	3s + B Magic Wand
Lighting	LED 5w 4000K
IEC airflow m³/h	208-384(515)
Noise level db(A)	51-66(72)
Total absorption W	225
Duct size	150 mm
Grease filter	Aluminium
Long life filter	Included

OPTIONAL ACCESSORIES	
White remote control kit	KIT0121468
Black remote control kit	KIT0121469
Extension cable kit (2,5m SS)	KIT01889
Extension cable kit (5m SS)	KIT01921

Kit remote control optional. See page 219 for available designs.

MODEL	
SIENNA	64714985/1



≥ 50 cm



≥ 65 cm



LONG LIFE FILTER





JASMINE

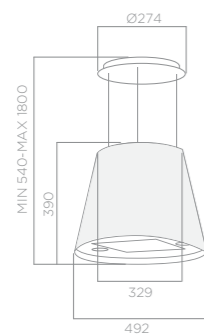
ELICA DESIGN CENTER

Size	50 cm
Finish	Ivory
Version	Recycling

Controls	3s Soft Touch Push Button
Lighting	Halogen 2x20w + Halogen 4x28w
Max airflow m³/h	240-603
Noise level db(A)	47-67
Total absorption W	372
Duct size	150 mm
Grease filter	Aluminium
Long life filter	Included

OPTIONAL ACCESSORIES	
Extension cable kit (2,5m SS)	KIT01889
Extension cable kit (5m SS)	KIT01921
Wall mounted kit	KIT02263

MODEL	
JASMINE PEARL	71716351B



≥ 50 cm



≥ 65 cm



AMBIENT LIGHT



LONG LIFE FILTER

Size	50 cm
Finish	Ivory
Version	Recycling

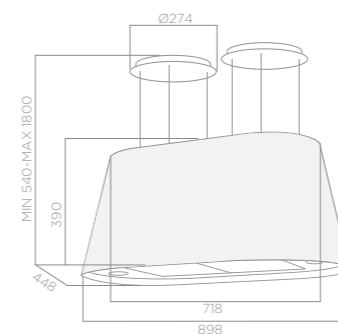
JULIETTE

ELICA DESIGN CENTER

Controls	3s Soft Touch Push Button
Lighting	Halogen 2x20w + Halogen 6x28w
Max airflow m³/h	240-603
Noise level db(A)	47-67
Total absorption W	428
Duct size	150 mm
Grease filter	Aluminium
Long life filter	Included

OPTIONAL ACCESSORIES	
Extension cable kit (2,5m SS) (2 req)	KIT01889 (1pc)
Extension cable kit (5m SS) (2 req)	KIT01921 (1pc)

MODEL	
JULIETTE PEARL	71716357B



≥ 50 cm



≥ 65 cm



AMBIENT LIGHT



LONG LIFE FILTER

Size	90 cm
Finish	Ivory
Version	Recycling

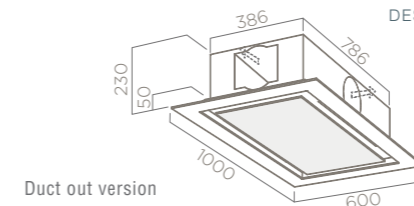


RE-CIRCULATED VERSION

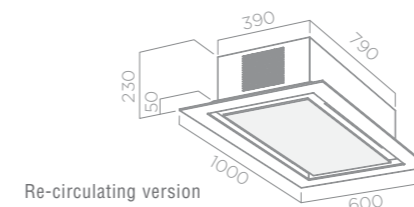


DUCTED OUT VERSION

CIRRUS
DESIGN FABRIZIO CRISÀ



Duct out version



Re-circulating version

Controls	3s + B remote control
Remote control	Included
Lighting	Strip LED 2x10,5 w 4000K
IEC airflow m³/h	272-515(669)
Noise level db(A)	46-61(66)
Total absorption W	272
Duct size	150 mm
Grease filter	Aluminium
Standard charcoal filter	Included

MODEL	
CIRRUS	PRF0098000

For optimum performance levels, we recommend a maximum distance of 2,30 m from the floor.

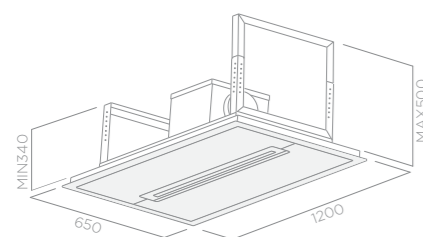


HIGH PERFORMANCE



EASY INSTALLATION

Size	60x100 cm
Finish	White glass
Version	Re-circulating or duct out



CLOUD NINE

ELICA DESIGN CENTER

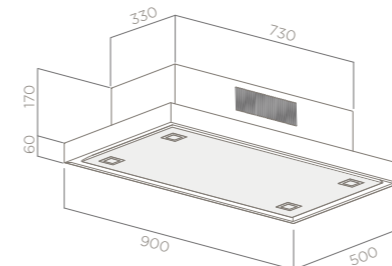
Size	120x65 cm	
Finish	Stainless steel + white glass	
Version	Duct out or re-circulating (built in motor), Duct out only (remote motor)	

	BUILT IN MOTOR	REMOTE MOTOR
Controls	3s + B remote control	
Remote control	Included	
Lighting	Neon 21w	Neon 1X21W
IEC airflow m³/h	304-603(669)	256-496 (669)
Noise level db(A)	51-68(71)	51-68 (71) near motor 45-50 (61) near hood
Total absorption W	241	281
Duct size	150 mm	150
Grease filter	Aluminium	
Standard charcoal filter	Included	

Do not insert the included charcoal filter in duct-out version.

MODEL	
CLOUD NINE	PRF0010423
CLOUD NINE RM	PRF0097543
REMOTE MOTOR	KIT0097544

See page 211 for KIT0097544 remote motor
For optimum performance levels, we recommend a maximum distance of 2,30 m from the floor.



STRATOS

ELICA DESIGN CENTER

Size	90x50 cm
Finish	Stainless steel
Version	Recycling only

Controls	3s remote control
Remote control	Included
Lighting	Halogen 4x20w
IEC airflow m³/h	195-368
Noise level db(A)	54-68
Total absorption W	220
Grease filter	Aluminium
Standard charcoal filter	Included

MODEL	
STRATOS	PRF0091767

Model not subject to compulsory energy certification.

For optimum performance levels, we recommend a maximum distance of 2,30 m from the floor.

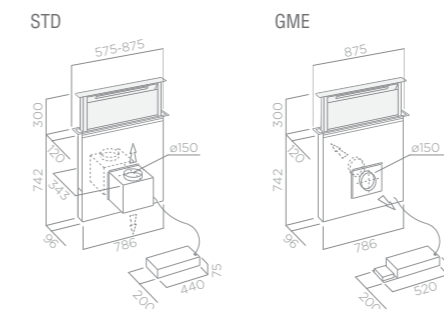


EASY
INSTALLATION



ANDANTE

DESIGN FABRIZIO CRISÀ



Size	60-90 cm
Finish	Stainless steel + black glass (60cm & 90cm), stainless steel + white glass (90cm), stainless steel (90cm)
Version	Re-circulating or duct out (built in motor)/ duct out (remote motor)



	STD	GME
Controls	3s + B Touch control	
Lighting	NEON 8w	NEON 14w
IEC airflow m³/h	208 - 448 (647)	272 - 647 (757)
Noise level db(A)	45 - 65 (71)	38 - 61 (65)
Total absorption W	283	264
Duct size	150 mm	
Grease filter	Aluminium	
Standard charcoal filter (internal motor)	Included	

OPTIONAL ACCESSORIES

White remote control kit	KIT0121468
Black remote control kit	KIT0121469
External motor GME 22	PRF0006212A
External motor GME 88	PRF0046491A

See page 211 for external motor specifications
 Kit remote control optional. See page 219 for available designs.

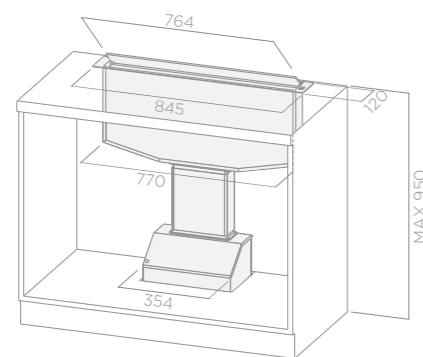
MODEL

ANDANTE Black 60	PRF0099421A
ANDANTE Black 90 *	PRF0006191A
ANDANTE White 90 *	PRF0006195A
ANDANTE SS 90 *	PRF0006197A
ANDANTE GME Black 90	PRF0106378
ANDANTE GME White 90	PRF0106382
ANDANTE GME SS 90	PRF0106386



SEE YOU

DESIGN FABRIZIO CRISÀ



Controls	3 speeds + Boost Touch control
IEC airflow m³/h	240-515 (669)
Noise level db(A)	56-68 (70)
Total absorption W	190
Duct size	150 mm
Grease filter	Aluminium

OPTIONAL ACCESSORIES

Long life filter	KIT0121492
Re-circulating kit See You	KIT0120955

MODELS

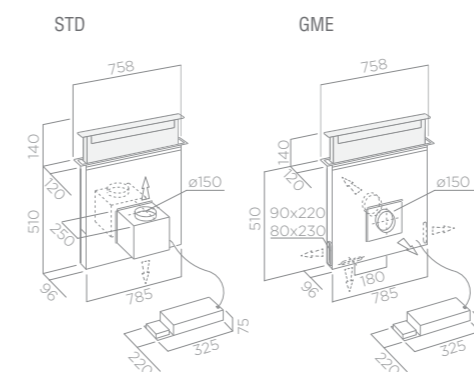
SEE YOU Black	PRF0120984
SEE YOU SS	PRF0120983



Size	90 cm
Finish	Stainless steel + glass, black + glass
Mode	Re-circulating or duct out

PANDORA

ELICA DESIGN CENTRE



Cutting dimensions: 822x100 mm



Size	90 cm
Finish	Black, stainless steel
Mode	Re-circulating or duct out (internal motor) duct out (external motor)

	STD	GME 22	GME 88
Controls	3 speeds + Boost Touch control		
IEC airflow m³/h	208-496 (669)	304-515 (603)	240-581 (713)
Noise level db(A)	45-59 (67)	59-66 (70)	58-71 (72)
Total absorption W	275	190	250
Duct size	150 mm	150 mm	150 mm
Grease filter	Aluminium	Aluminium	Aluminium
Standard charcoal filter	Included		

OPTIONAL ACCESSORIES

External motor GME 22	PRF0006212A
External motor GME 88	PRF0046491A

See page 211 for external motor specifications

MODELS

PANDORA Black *	PRF0120979
PANDORA SS *	PRF0120980
PANDORA GME Black	PRF0120981
PANDORA GME SS	PRF0120982



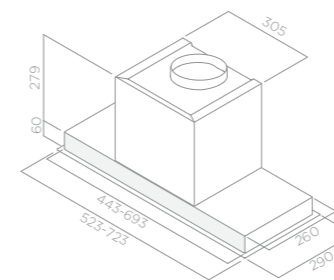
ICONIC
BUILT IN

SLEEK
ELICA DESIGN CENTER

Controls	3s + B Touch control
Lighting	Strip LED 7w 4000K
IEC airflow m³/h	240-480(603)
Noise level db(A)	49-65(69)
Total absorption W	262
Duct size	150 mm
Grease filter	Aluminium

OPTIONAL ACCESSORIES	
Standard charcoal filter	CFC0038668

MODEL	
SLEEK 60 SS	PRF0092333
SLEEK 80 SS	PRF0095073
SLEEK 60 WH	PRF0097676
SLEEK 80 WH	PRF0097708



≥ 50 cm



≥ 65 cm



HIGH PERFORMANCE

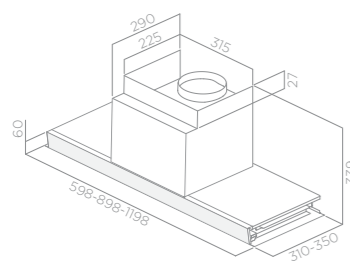


EASY INSTALLATION

Size	60 - 80 cm
Finish	Stainless steel, stainless steel + white glass
Version	Re-circulating or duct out



ICONIC
BUILT IN



HIDDEN

DESIGN FABRIZIO CRISA

Size	60 - 90 - 120 cm
Finish	Stainless steel + white glass
Version	Re-circulating or duct out
Controls	3s + b electronic rotative
Lighting	LED 2x2,5w 4000K
IEC airflow m³/h	240-464(581)
Noise level db(A)	46-64(69)
Total absorption W	255
Duct size	150 mm
Grease filter	Aluminium
OPTIONAL ACCESSORIES	
Long life filter	KIT0037910
MODEL	
HIDDEN 60	PRF0025026
HIDDEN 90	PRF0025028
HIDDEN 120	PRF0025030



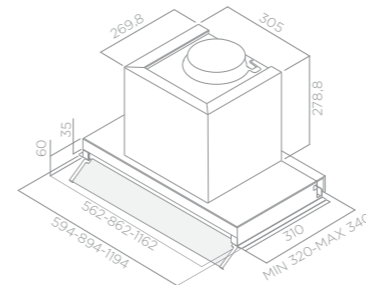
≥ 50 cm



≥ 50 cm



LONG LIFE FILTER



BOXIN HE

ELICA DESIGN CENTER

Size	60 - 90 - 120 cm
Finish	Stainless steel + white glass
Version	Re-circulating or duct out
Controls	3s Rotative
Lighting	Led 2x2,5w 4000K
IEC airflow m³/h	272-647
Noise level db(A)	55-68
Total absorption W	260
Duct size	150 mm
Grease filter	Aluminium
OPTIONAL ACCESSORIES	
Chimney kit H12 Boxin	KIT0091876
Standard charcoal filter	CFC0038668
MODEL	
BOXIN HE 60	PRF0097795
BOXIN HE 90	PRF0097796
BOXIN HE 120	PRF0097797



≥ 50 cm

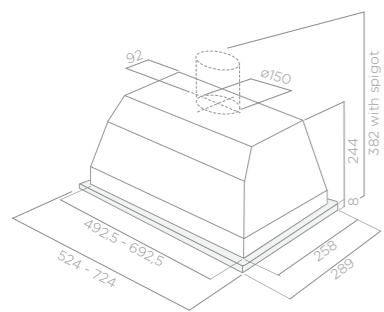


≥ 50 cm



EASY INSTALLATION





ELIBLOC HT

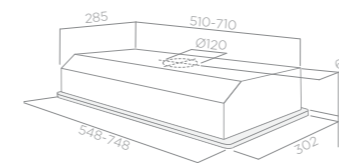
Size	60 - 80 cm
Finish	Silver
Version	Re-circulating or duct out
Controls	4s Slider
Lighting	Halogen 2x20w
IEC airflow m³/h	256-369(647)
Noise level db(A)	49-66(71)
Total absorption W	240
Duct size	150 mm
Grease filter	Aluminium
OPTIONAL ACCESSORIES	
Standard charcoal filter	F00169/1S
MODEL	
ELIBLOC HT 60	1768336
ELIBLOC HT 80	17614580



≥ 50 cm



≥ 65 cm



ELIPLANE



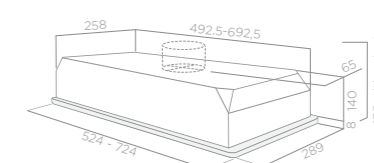
Size	60 - 80 cm
Finish	Stainless steel
Version	Re-circulating or duct out
Controls	Electronic Slider
Lighting	Neon PL 1 x 11w
IEC airflow m³/h	165-352
Noise level db(A)	53-71
Total absorption W	270
Duct size	120 mm
Grease filter	Stainless Steel
Standard charcoal filter	Included
MODEL	
ELIPLANE 60	1013388/3
ELIPLANE 80	1013389/3



≥ 60 cm



≥ 65 cm



ELIBLOC 9



Size	60 - 80 cm		
Finish	Silver		
Version	Re-circulating or duct out, GME duct out only		
	ELB-60-1M	ELB-60-2M	ELB-60-RM
Controls	3s Slider	3s Slider	3s Electronic Slider
Lighting	Halogen 2 x 28w	Halogen 2 x 28w	Halogen 2 x 20w
IEC airflow m³/h	115-175	155-336	256-496(559)
Noise level db(A)	48-58	53-68	38-61 (near hood) 63-75 (near motor)
Total absorption W	156	286	226
Duct size	120 mm	120 mm	150mm
Grease filter	Aluminium		
Standard charcoal filter	Included	Included	
See page 211 for external motor specifications			
MODEL			
ELB-60-1M *	1755555/3		
ELB-60-2M *	1745563/3		
ELB-80-2M *	1745564/3		
ELB-60-RM	27512771		
ELB-80-RM	27512772		



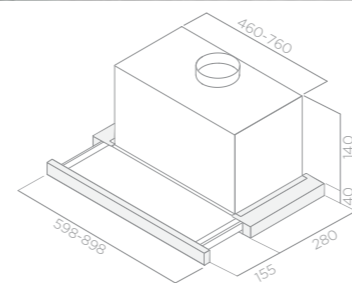
≥ 60 cm



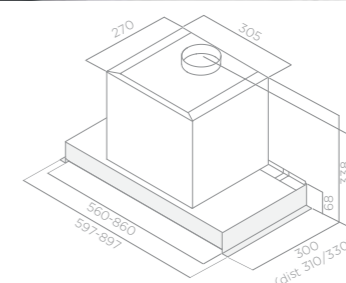
≥ 65 cm



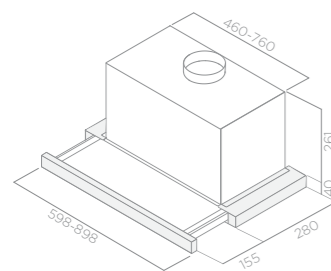
ICONIC
BUILT IN



ELITE 14
ELICA DESIGN CENTER



GLASS OUT
ELICA DESIGN CENTER



ELITE 26
ELICA DESIGN CENTER

Size	60 - 90 cm
Finish	Stainless steel
Version	Re-circulating or duct out
Controls	3s + B Touch control
Lighting	Halogen 2x20w
IEC airflow m³/h	240-480(581)
Noise level db(A)	44-61(65)
Total absorption W	215
Duct size	150 mm
Grease filter	Aluminium
OPTIONAL ACCESSORIES	
Standard charcoal filter	CFC0038668
MODEL	
ELITE 26 60	PRF0038809A
ELITE 26 90	PRF0038812A



≥ 50 cm



≥ 50 cm

Size	60 - 90 cm
Finish	Silver + stainless steel
Version	Re-circulating or duct out
Controls	3s mechanical push button
Lighting	Halogen 2x28w
IEC airflow m³/h	145-336
Noise level db(A)	47-65
Total absorption W	206
Duct size	120 mm
Grease filter	Aluminium
OPTIONAL ACCESSORIES	
Standard charcoal filter	CFC0038000
MODEL	
ELITE 14-60	PRF0037989
ELITE 14-90	PRF0037992



≥ 50 cm



≥ 65 cm

Size	60 - 90 cm
Finish	Stainless steel + glass
Version	Re-circulating or duct out
Controls	3s + B Touch control
Lighting	Strip LED 7w 4000K
IEC airflow m³/h	240-452(559)
Noise level db(A)	54-61(65)
Total absorption W	227
Duct size	150 mm
Grease filter	Stainless steel
OPTIONAL ACCESSORIES	
Standard charcoal filter	CFC0038668
MODEL	
GLASS OUT 60	PRF0109787
GLASS OUT 90	PRF0109788



≥ 50 cm



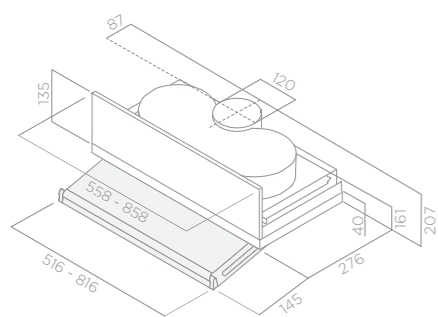
≥ 55 cm



≥ 55 cm



≥ 55 cm



SKLOCK LED

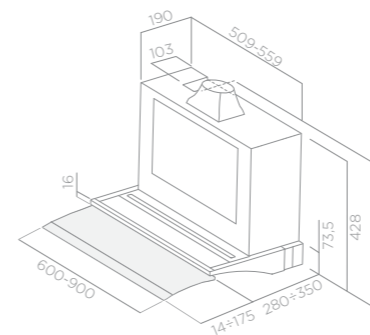
Size	56 - 86 cm
Finish	Silver
Version	Re-circulating or duct out
Controls	3S Slider
Lighting	LED 2x2.5w 4000K
IEC airflow m³/h	185-320
Noise level db(A)	55-64
Total absorption W	205
Duct size	120 mm
Grease filter	Aluminium
OPTIONAL ACCESSORIES	
Standard charcoal filter (2 req)	F00189/S
MODEL	
SKLOCK LED 60	PRF0121068
SKLOCK LED 90	PRF0121107



≥ 50 cm



≥ 65 cm



GLIDE ELICA DESIGN CENTER

Size	60 - 90 cm
Finish	Stainless steel
Version	Duct out or recirculating
Controls	3S Soft Touch Push Button
Lighting	Halo 2x20W
IEC airflow m³/h	272-581
Noise level db(A)	48-67
Total absorption W	260
Duct size	150 mm
Grease filter	Stainless steel
OPTIONAL ACCESSORIES	
Standard charcoal filter	F00171/S
MODEL	
GLIDE 60	52614597A
GLIDE 90	52614598A



≥ 43 cm



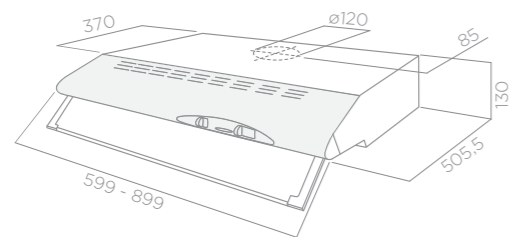
≥ 65 cm



HIGH PERFORMANCE



CONCORDE
ELICA DESIGN CENTER



Controls	3S Slider
Lighting	Halo 2x28W
IEC airflow m ³ /h	125-288
Noise level db(A)	49-69
Total absorption W	196
Duct size	120 mm (Top Duct Only)
Grease filter	Aluminium
Standard charcoal filter	Included

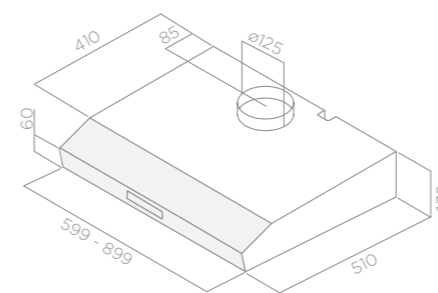
MODEL	
60CSTBLK	1275534/5
60CSTSS	1275532/5
60CSTWH	1275533/5
90CSTBLK	12710809/3
90CSTSS	1277303/4
90CSTWH	12710808/3



Size	60 - 90 cm
Finish	Black, white, stainless steel
Version	Duct out or recirculating



≥ 70 cm



KREA
ELICA DESIGN CENTER

Size	60 - 90 cm	
Finish	Stainless steel, black, white	
Version	Re-circulating or duct out	

	STD	LUX
Controls	3s Slider	3s Slider
Lighting	Halogen 28w	Halogen 2x28w
IEC airflow m ³ /h	95-240	135-336
Noise level db(A)	54-67	52-73
Total absorption W	171	216
Duct size	120 mm	120 mm
Grease filter	Aluminium	
Standard charcoal filter	Included	

MODEL	
KREA STD Black	PRF0012484B
KREA STD SS	PRF0012488B
KREA STD White	PRF0012495B
KREA LUX SS 60	PRF0012551A
KREA LUX SS 90	PRF0012543A



≥ 60 cm

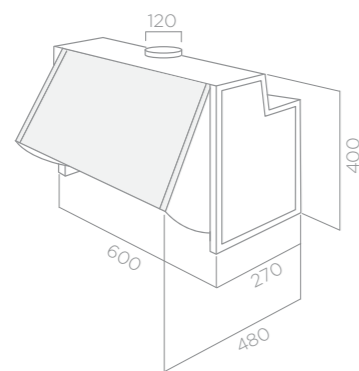


≥ 65 cm



INTEGRATA

ELICA DESIGN CENTER



	1 MOT	2 MOT
Controls	3s SLIDER	3s SLIDER
Lighting	Halogen 2X28W	
IEC airflow m³/h	125-288	165-352
Noise Level db(A)	48-66	56-71
Total absorption (W)	196	316
Duct Size (mm)	120	120
Grease filter	Aluminium	Aluminium

OPTIONAL ACCESSORIES	
Standard charcoal filter	F00428 (1 X 1 MOT / 2 X 2 MOT)

MODELS	
INT NG SP	5414464A
INT NG SPT	5414465C



Size 60 cm

≥ 50 cm



≥ 70 cm

Finish Silver

Version Re-circulating or duct out

REMOTE MOTORS



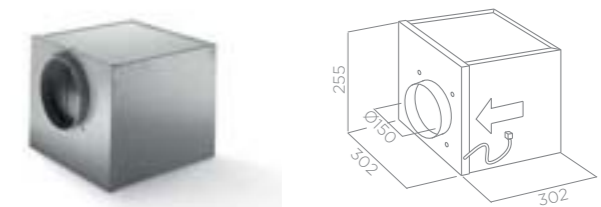
4009378 GME (COVE, ELB-RM, PRO-ANGLO)



Duct SIZE 150

Can be installed externally or inside the property.

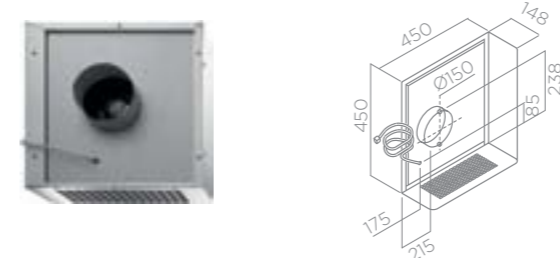
PRF0006209A GME 11



Duct SIZE 150

Installed inside the property.

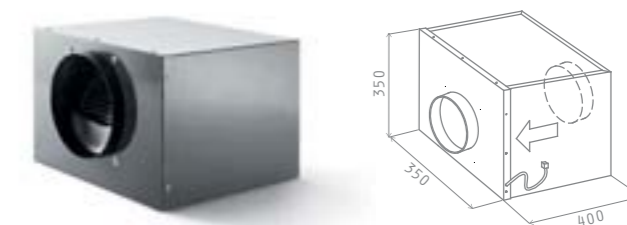
PRF0006212A GME 22 (ANDANTE, PANDORA)



Duct SIZE 150

Installed externally.

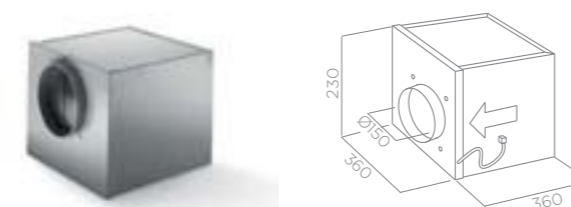
PRF0046491A GME 88 (ANDANTE, PANDORA)



Duct SIZE 150-200

Installed inside the property.

KIT0097544 (CLOUD NINE)



Duct SIZE 150

Installed inside the property.



WIRELESS CONNECTIVITY

WIRELESS CONNECTIVITY

The wireless connection ensures constant communication between the induction hob and the cooker hood. Usage Wireless connection ensures constant communication between the induction hob and cooker hood. The hood selects the optimum operating speed to maintain air quality leaving you free to concentrate on cooking.



SENSOR TECHNOLOGY

SENSOR TECHNOLOGY

The sensors monitor the quantity and quality of cooking vapours enabling the hood to regulate its operation.



TOP PERFORMANCE

TOP PERFORMANCE

Class leading performance in terms of extraction rate, typically over 700m³/h and noise levels of only 55 to 60 dbA at maximum speed.



HIGH PERFORMANCE

HIGH PERFORMANCE

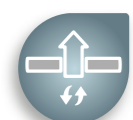
Excellent performance in terms of extraction rate between 600 and 700m³/h and noise levels of only 60 to 65 dbA at maximum speed.



DOUBLE BREATH

DOUBLE BREATH

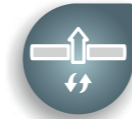
In addition to the front aspiration these models also have a lower opening for direct fume capture. Elica engineers are constantly searching for better and more efficient ways to capture fumes.



REVOLUTION FILTER

REVOLUTION FILTER

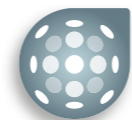
The latest Elica filters exceed 82% efficiency compared to a market average of 60%. The new filter is regenerated by washing in a dishwasher at 65°C or in hot water with a mild soap before drying in an oven for 10 minutes at 100°C every 2 to 3 months. Filter life is up to 3 years



LONG LIFE FILTER

LONG LIFE FILTER

The Elica long life filter will last up to 3 years compared to 3 to 6 months for standard. The filter is regenerated by washing in a dishwasher at 65°C or in hot water with a mild soap before drying in an oven for 10 minutes at 100°C every 2 to 3 months.



TUNE-WHITE

TUNE-WHITE

UNIQUE to Elica's hoods with this feature is the ability to adjust the warmth of the LED light from a warm 2700K to a bright white 6000K to blend in with the other lighting in your kitchen.



AMBIENT LIGHT

AMBIENT LIGHT

Elica efforts to integrate their hoods leaves no stone unturned. These hoods light the room not just the cook top and so are transformed from a kitchen appliance to a key lighting element.



DIM-LIGHT

DIM-LIGHT

The Dimmer allows you to adjust the brightness of the light as you wish. With Elica, lighting is customised in a discreet, personal and practical way, in order to contribute in creating the perfect kitchen atmosphere.



BACK ASPIRATION

BACK ASPIRATION

Models equipped with this feature have air outlets at the upper and rear on the motor housing. The upper vent is used when the hood is installed in re-circulating mode or duct-out mode with a chimney and the rear vent is used to duct-out directly behind the hood.



EASY INSTALLATION

EASY INSTALLATION

These hoods are particularly easy to install and adjust in all types of cabinetry.

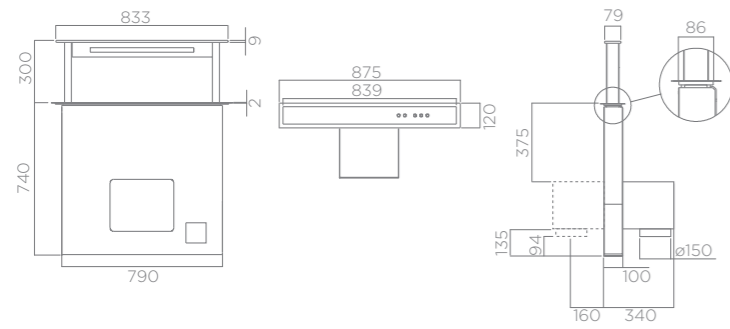


NO-DROPS

NO-DROPS

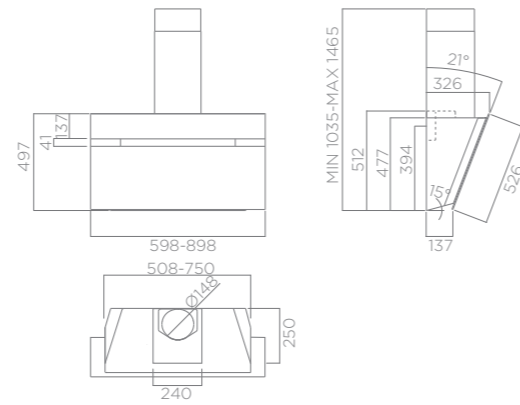
Where quantity steam from boiling water meets a cold surface it condenses. To eliminate this inconvenience Elica has developed a system that includes warming the glass of the hood like a car's rear windscreen.

Andante

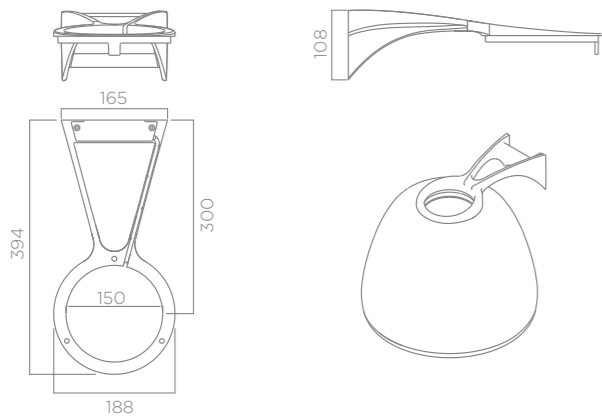


Cutting dimensions: 842x100 mm

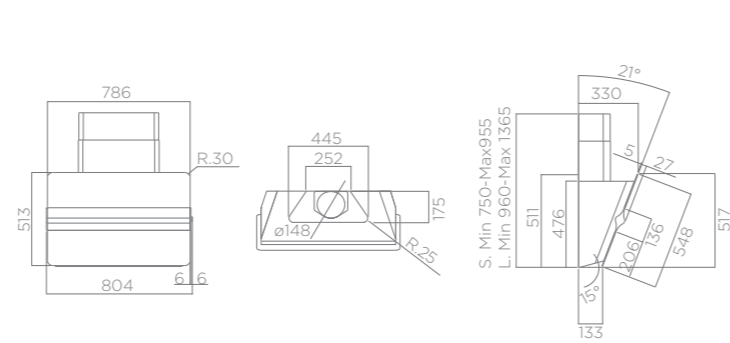
Ascent



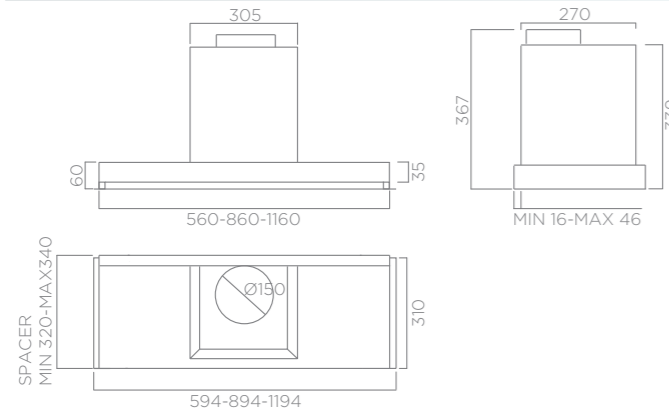
Belle, Diva, Interstellar, Shining, Summilux



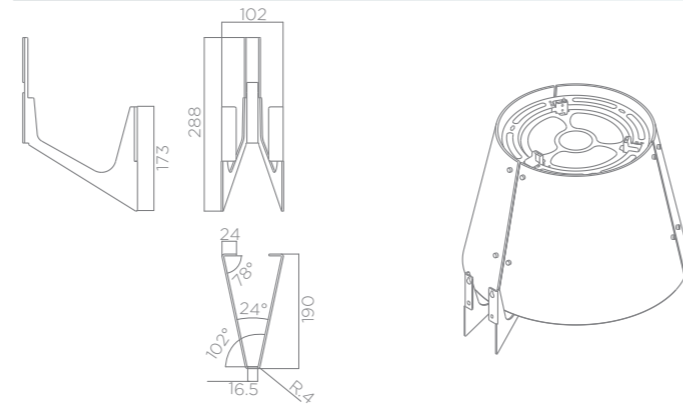
Barre



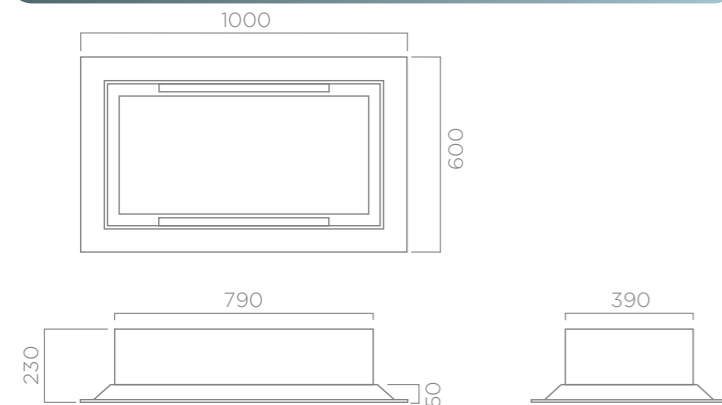
Box In HE



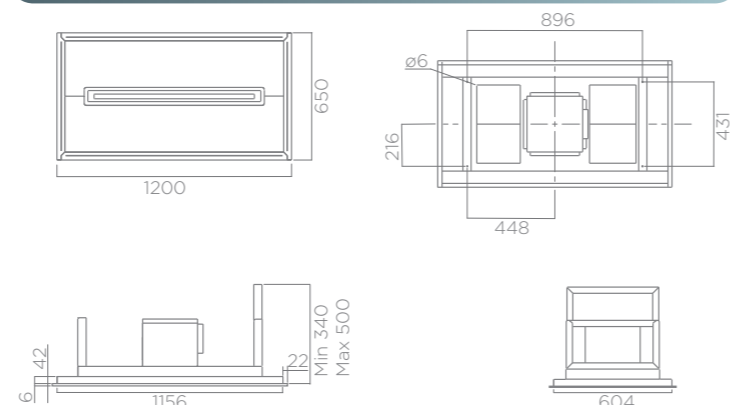
Charm, Splendore, Flow



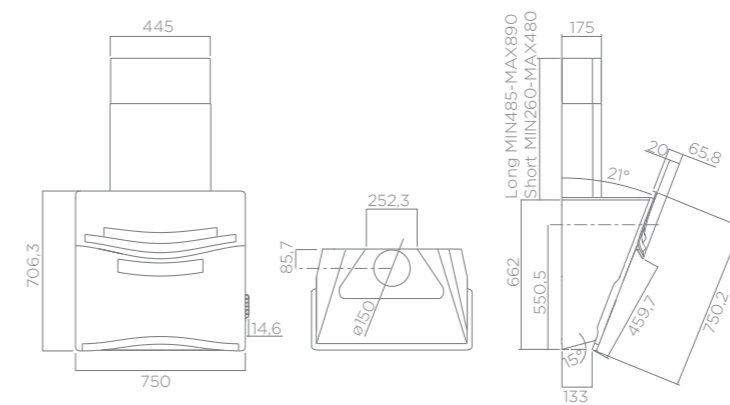
Cirrus



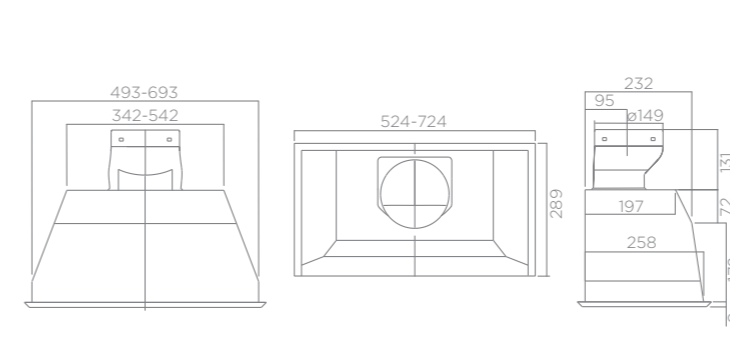
Cloud Nine



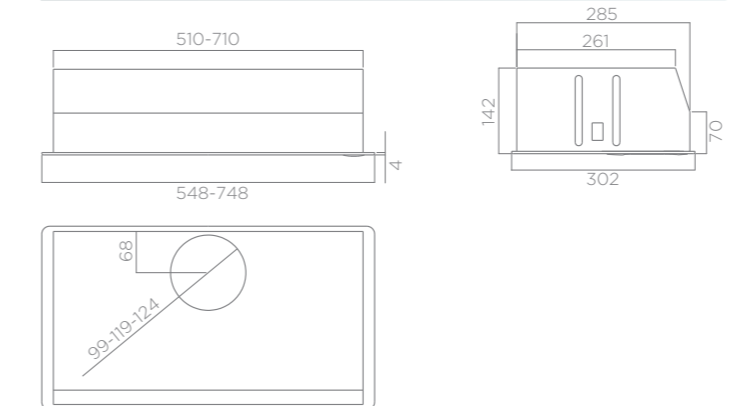
Concetto Spaziale



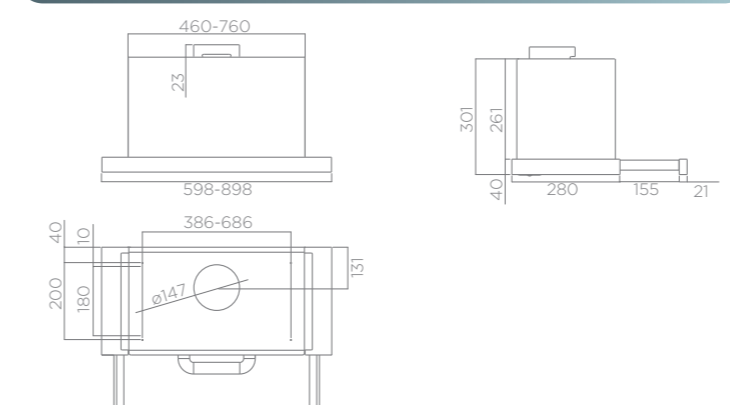
Elibloc HT



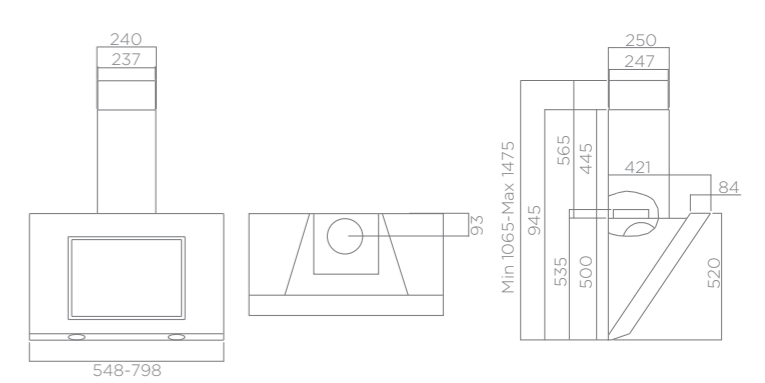
Eliplane



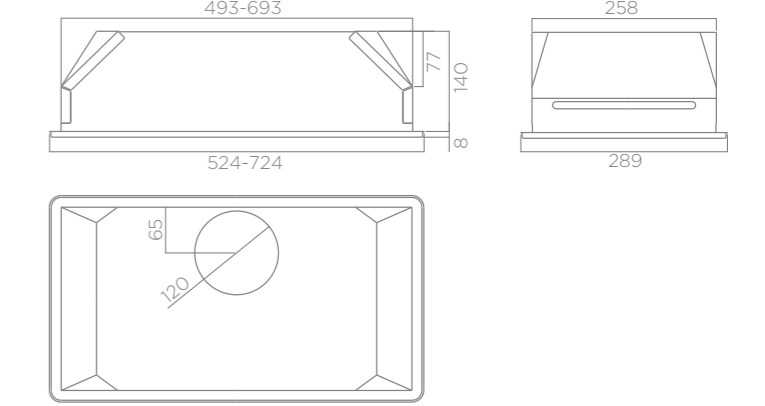
Elite 26



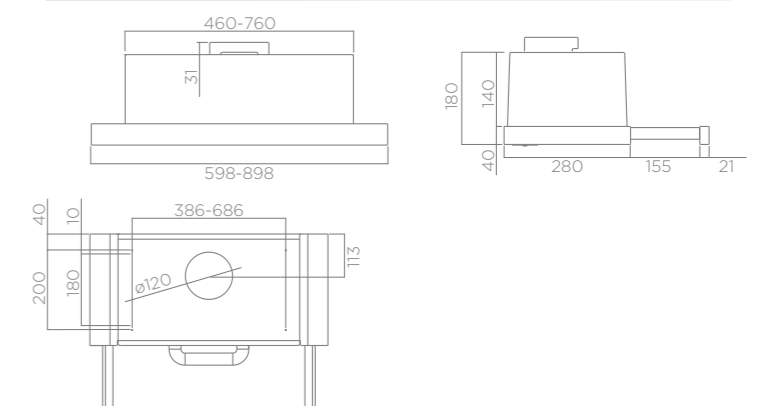
Elektra



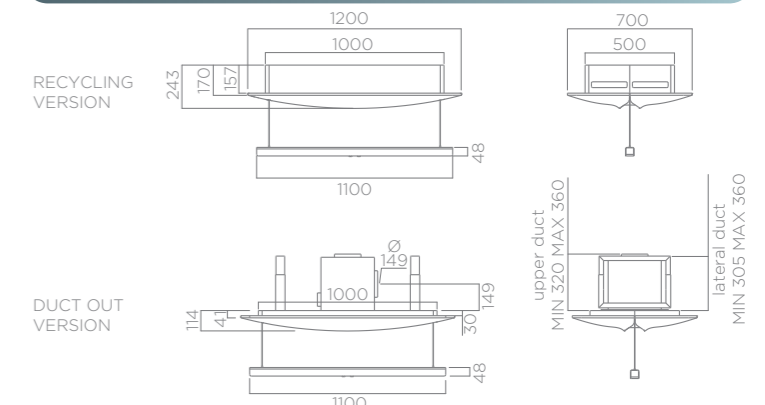
Elibloc 9



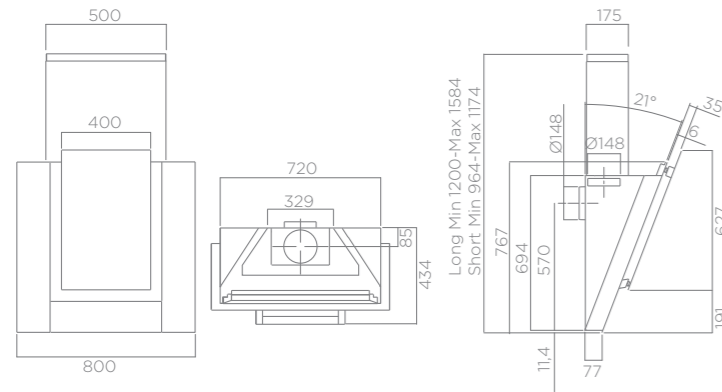
Elite 14



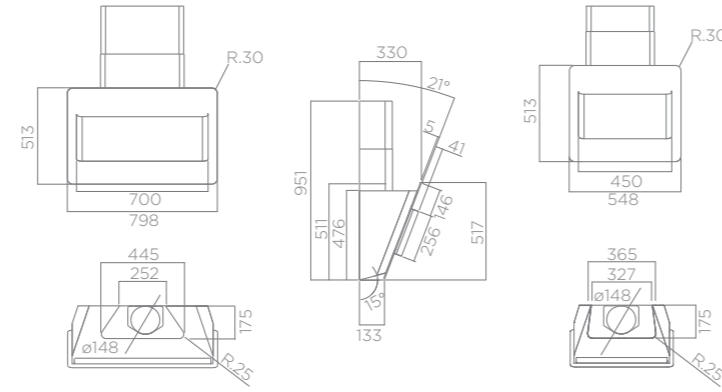
Empty Sky, Empty Sky Sense



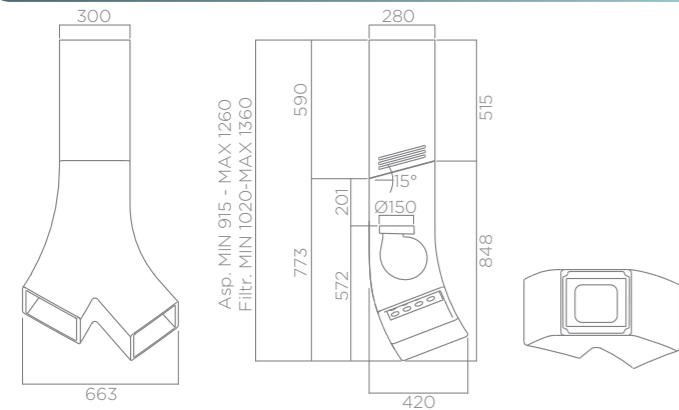
Verdi



Verve



Yin



KIT0121468 WHITE

KIT0121469 BLACK



THE NEW ELICA RADIO CONTROL, DESIGNED BY FABRIZIO CRISÀ, IS SUPER THIN, RESISTANT AND PRACTICAL, THANKS TO THE MAGNETS THAT ALLOW IT TO BE PLACED ON METAL OBJECT. IT COMES IN GLASS OR ALUMINUM, IN BLACK OR WHITE.

ALL YOU NEED IS A LIGHT TOUCH TO ACTIVATE THE SENSOR (WHERE PRESENT), TO START USING THE HOOD IN **SENSE** MODE.

ALLOWS YOU TO TURN ON THE **AMBIENT LIGHT**. HOLD DOWN FOR A LONGER TIME TO ADJUST THE BRIGHTNESS OF THE LIGHT.

RECHARGEABLE BATTERY WITH MICRO USB PLUG. (CORD INCLUDED).



THE + KEY INCREASES THE ASPIRATION POWER, WHILE THE - KEY DECREASES IT. BY HOLDING DOWN THE LATTER, THE HOOD SWITCHES OFF REGARDLESS OF ITS CURRENT SPEED.

THE **LIGHT** ABOVE THE **HOB** IS SWITCHED ON BY LIGHTLY PRESSING THE KEY. BY HOLDING IT DOWN FOR A LONGER PERIOD, YOU CAN ACTIVATE THE ADVANCED FEATURES, ACCORDING TO YOUR MODEL: THE **DIM-LIGHT** (THAT ADJUSTS BRIGHTNESS) OR THE **TUNE-WHITE** (THAT ALLOWS FOR THE VARIATION OF THE LED LIGHT TEMPERATURE)

KIT0101683 WHITE

KIT0102341 BLACK

KIT0102493 CHROME





LEARN MORE ABOUT PERFORMANCE

	IEC Airflow m³/h				IEC Noise Level db(A)				ENERGY CLASS
	1V	2V	3V	4V *	1V	2V	3V	4V *	
Andante	155	276	496	757	40	47	62	69	B
Andante GME 22	384	526	625	735	45	53	59	64	C
Andante GME 88	272	402	647	757	38	48	61	65	C
Picture	240	336	647	-	43	49	66	-	A
Belle	165	208	336	400	36	41	53	56	A
Belle Sense	165	208	336	400	36	41	53	56	A
Belt	288	451	603	691	50	58	68	71	C
Bio	125	400	496	757	32	55	60	69	A+
Bio Island	125	400	496	757	32	55	60	69	A+
Box In HE	256	366	647	-	49	55	68	-	B
Barre	288	438	581	669	50	58	67	71	C
Chrome	240	342	464	603	45	48	55	60	B - C (85 cm)
Circus HE	224	294	448	603	45	51	62	69	A
Circus HE Island	224	294	448	603	45	51	62	69	A
Stratos	195	273	368	-	54	59	68	-	-
Cloud Nine	304	434	603	669	51	58	68	71	C
Concetto Spaziale	115	416	515	779	31	49	54	62	A+
Easy	256	368	515	603	45	54	61	64	A
Diva	165	208	336	400	36	41	53	56	A
Diva Sense	165	208	336	400	36	41	53	56	A
Elite 26	256	376	496	581	45	54	62	66	C
Film	240	337	515	669	43	50	62	67	A
Empty Sky (A)	125	432	537	823	31	53	58	68	A+
Empty Sky (F)	135	195	272	559	39	52	60	76	-
Empty Sky Sense	135	195	272	559	39	52	60	76	-
Cirrus	272	377	515	669	46	52	61	66	B
Hidden	240	360	464	581	46	55	64	69	D
Quartz HE	224	294	448	603	45	51	62	69	A
Quartz HE Island	224	294	448	603	45	51	62	69	A
Galaxy	288	422	559	647	52	60	69	73	C
Galaxy Island	288	422	559	647	52	60	69	73	C
Glass Out	240	318	432	559	54	54	61	65	A
Charm	208	278	384	515	51	57	66	72	B
Sleek	240	345	480	603	49	59	65	69	B
Sleek HT	240	336	464	581	47	55	62	67	B
Verdi	195	246	581	801	42	44	64	73	A
Interstellar	165	208	336	400	36	41	53	56	A
Jasmine	240	324	603	-	47	53	67	-	B
Juliette	240	324	603	-	47	53	67	-	B
Juno	240	324	603	-	47	53	67	-	B
Kuadra	224	323	416	496	48	55	62	66	D
Kuadra Island	224	323	416	496	48	55	62	66	D
Alpha	272	384	515	669	49	56	65	70	B
Loop	115	416	496	757	31	50	54	63	A+
Majestic Sense	240	352	496	603	46	53	60	66	A



LEARN MORE ABOUT PERFORMANCE

	IEC Airflow m³/h				IEC Noise Level db(A)				ENERGY CLASS
	1V	2V	3V	4V *	1V	2V	3V	4V *	
Meteorite	125	432	537	779	30	55	59	69	A
Meteorite Island	125	432	537	779	30	55	59	69	A
Mini IO	240	324	603	-	48	50	63	-	A
Luna	288	430	581	691	52	60	68	72	C
Luna Island	288	430	581	691	52	60	68	72	C - D (180 cm)
Sienna	208	278	384	515	51	57	66	72	B
Nuance	240	334	448	581	49	51	62	65	A
Nuance Sense	240	334	448	581	49	51	62	65	A
IO Air	240	328	515	669	42	48	60	66	A
IO Air Sense	224	306	464	625	43	48	58	65	A
IO	256	381	515	691	42	51	59	66	D
Pandora	202	286	502	680	43	47	57	65	A
Pandora GME 22	310	435	510	605	57	61	64	68	B
Pandora GME 88	240	335	580	705	56	58	69	70	C
Personal	224	351	537	-	47	55	65	-	C
Splendore	208	278	384	515	51	57	66	72	B
Pearl	180	265	336	400	55	63	67	70	-
See You	246	322	505	677	54	58	66	68	C
Serendipity	256	363	515	625	45	52	62	67	A
Serendipity Island	256	363	515	625	45	52	62	67	A
Shining	165	208	336	400	36	41	53	56	A
Leaf	400	515	625	757	56	62	70	73	B
Spot HE	224	296	448	625	44	50	62	69	A
Spot HE Island	224	294	537	603	48	51	64	70	A
Celestial	208	278	384	515	51	57	66	72	B
Summilux	165	208	336	400	36	41	53	56	A
Dolce	256	343	480	625	50	56	65	70	B
Synthesis	240	372	496	559	44	53	63	67	D
Prima	240	336	448	581	56	59	64	68	A
Prima Sense Island	240	336	448	581	56	59	64	68	A
Trendy	240	354	480	603	48	57	66	71	D
Trendy Island	240	354	480	603	48	57	66	71	D
Tube	224	321	416	496	47	55	63	67	D
Tuba Island	224	321	416	496	47	55	63	67	D
Tandem	288	460	625	867	58	65	73	78	D
Flow	208	278	384	515	51	57	66	72	B
Yin	224	301	480	625	43	50	61	68	A

NikolaTesla (A)	1V	2V	3V	4V	5V	6V	7V	8V	9V	10V *	E CLASS
IEC Airflow m³/h	165	208	256	288	320	336	368	384	400	625	A+
IEC Noise Level db(A)	37	41	47	50	52	54	56	58	59	70	
NikolaTesla (F)	1V	2V	3V	4V	5V	6V	7V	8V	9V	10V *	E CLASS
IEC Airflow m³/h	145	175	208	240	256	272	304	320	327	480	-
IEC Noise Level db(A)	43	47	52	54	56	58	60	61	62	72	

* Booster Time Speed

NIKOLATESLA - RE-CIRCULATING VERSION *



NIKOLATESLA - DUCT-OUT VERSION *



SEE YOU



RE-CIRCULATING MODE *
FOR ACCESSORIES SEE CONNECTIONS ABOVE



DUCT-OUT MODE *
FOR ACCESSORIES SEE CONNECTIONS ON PAGE 248

KIT0120955 - RE-CIRCULATING KIT



RE-CIRCULATING KIT SEE YOU

BY PURCHASING THIS KIT, IT IS POSSIBLE TO CONVERT 'SEE YOU' INTO THE FILTERING MODE. THANKS TO THE USE OF SPECIAL PIPING, THIS INSTALLATION CAN ALSO BE POSSIBLE ON KITCHENS WITH BASEBOARD OF 60MM.

* All images are samples installation

* All images are samples installation

FREE SAMPLE ZAMMC0261

D R Cooker Hoods is a division of D R Kitchen Appliances Ltd, which is the sole UK importer of Elica cooker hoods having introduced them into Great Britain over 30 years ago.

© D R Kitchen Appliances Ltd, Elica SPA. All rights reserved.
Any form of total or partial reproduction is strictly forbidden. Please note that the printing process does not always allow an accurate reproduction of colour. Elica and D R Kitchen Appliances Ltd. reserve the right to change the specifications of the products in this catalogue without notice. Errors and omissions excepted.

D R Kitchen Appliances Ltd
2 Alpha Road, Aldershot,
Hampshire GU12 4RG
T: 01252 351111
e: sales@drcookerhoods.co.uk

March 2017

follow us on elica.com, Facebook, Instagram, Pinterest, YouTube



This catalogue presents the 2017-18 range of Elica cooker hoods for the UK, a collection of unique products to enhance and enrich your home.

D R Kitchen Appliances Ltd
2 Alpha Road, Aldershot
Hampshire GU12 4RG
t: 01252 351111
e: sales@drcookerhoods.co.uk
www.elica.co.uk

Twitter: @elicahoods
Facebook: elicacookerhoods
Pinterest: elica hoods
Houzz



www.elica.com